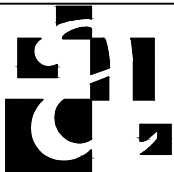


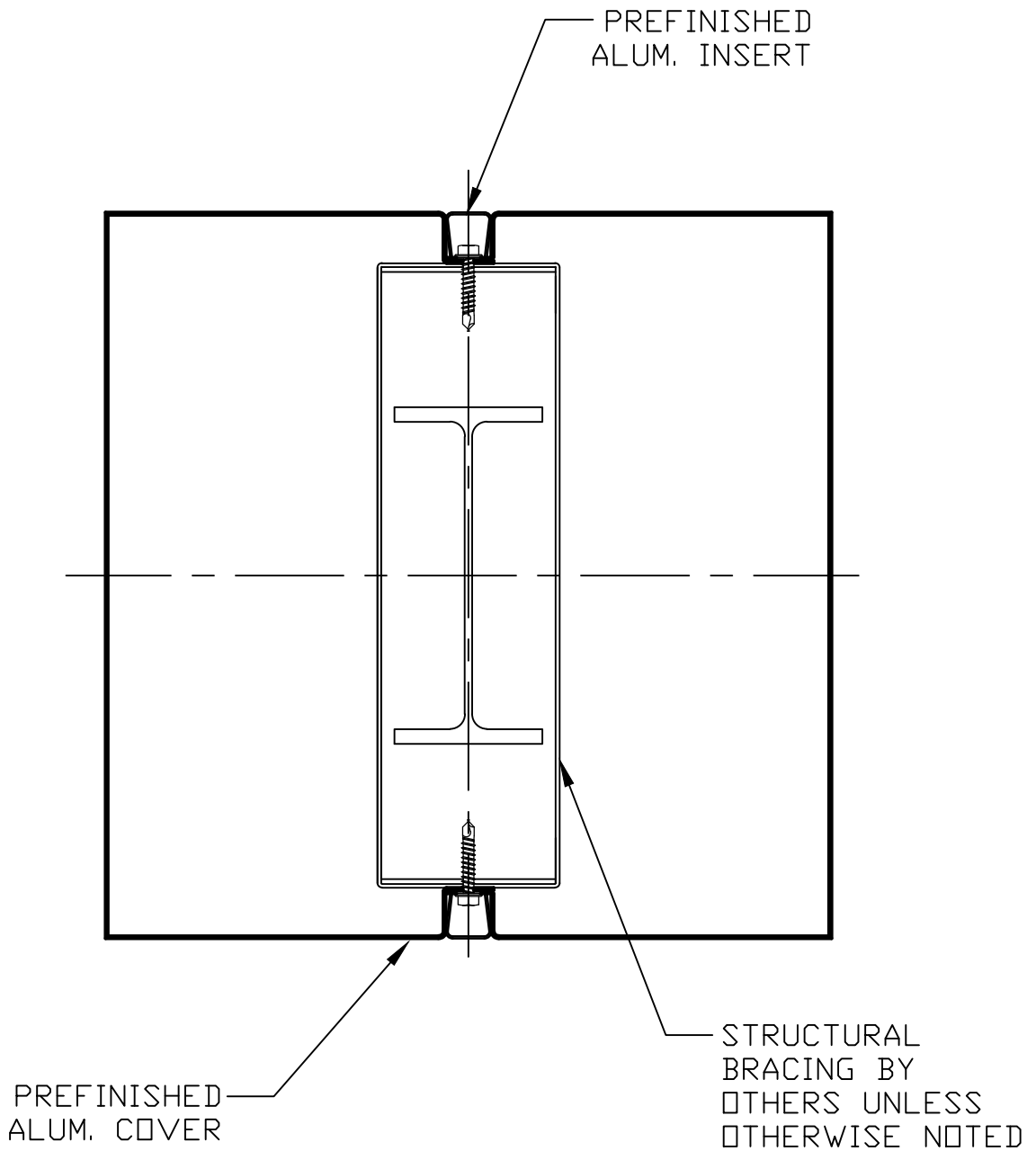
1
ELEVATION



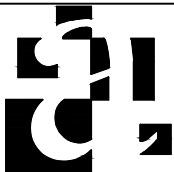
Abrams Architectural Products
7260 Delta Circle
Austell, GA 30168
Phone: 770.745.8728
Fax: 770.745.8839
www.abramssales.com

"DRY JOINT WITH INSERT"
COLUMN COVERS
AAP-C200

MARCH 2011



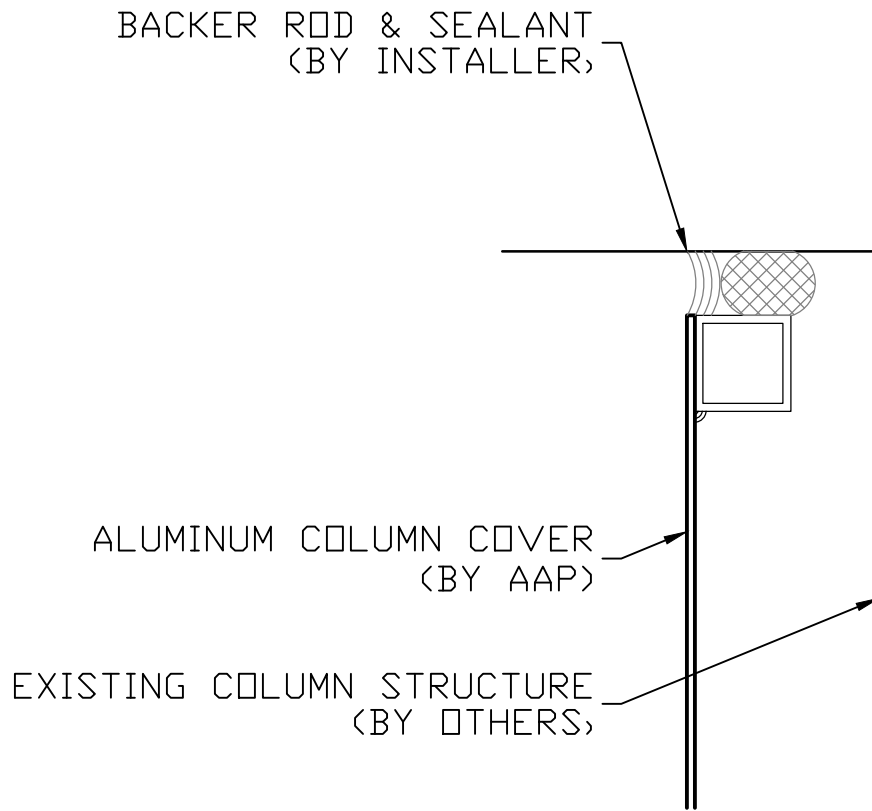
2
COLUMN SECTION



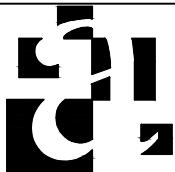
Abrams Architectural Products
 7260 Delta Circle
 Austell, GA 30168
 Phone: 770.745.8728
 Fax: 770.745.8839
 www.abramssales.com

"DRY JOINT WITH INSERT"
COLUMN COVERS
AAP-C200

MARCH 2011



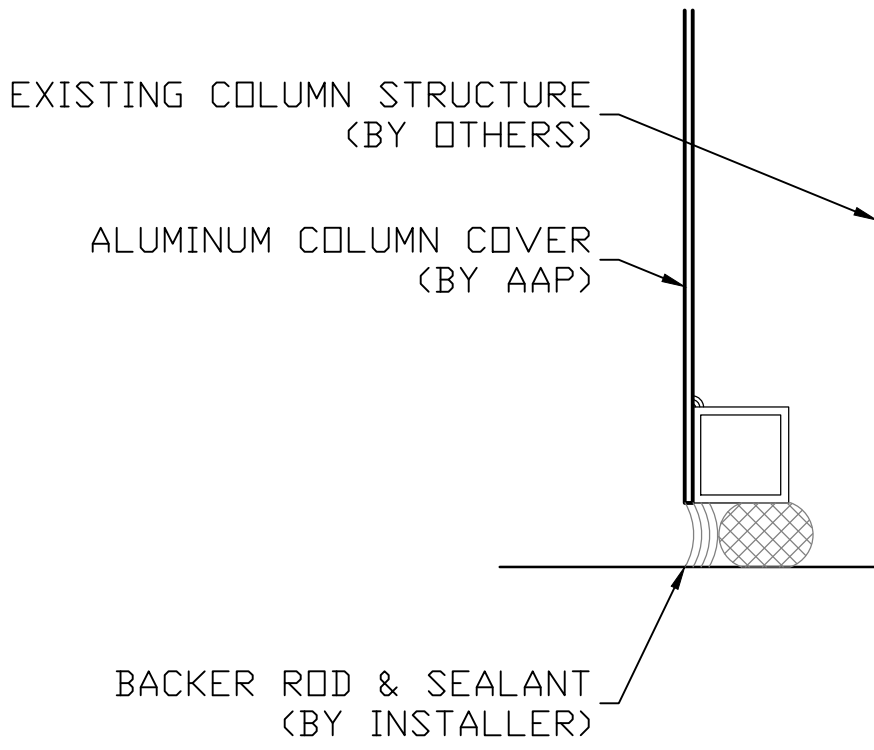
3
CEILING JAMB



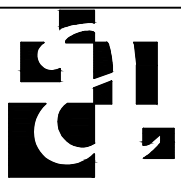
Abrams Architectural Products
7260 Delta Circle
Austell, GA 30168
Phone: 770.745.8728
Fax: 770.745.8839
www.abramssales.com

"DRY JOINT WITH INSERT"
COLUMN COVERS
AAP-C200

MARCH 2011



4
FLOOR JAMB



Abrams Architectural Products
7260 Delta Circle
Austell, GA 30168
Phone: 770.745.8728
Fax: 770.745.8839
www.abramssales.com

"DRY JOINT WITH INSERT"
COLUMN COVERS
AAP-C200

MARCH 2011