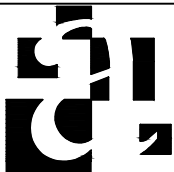


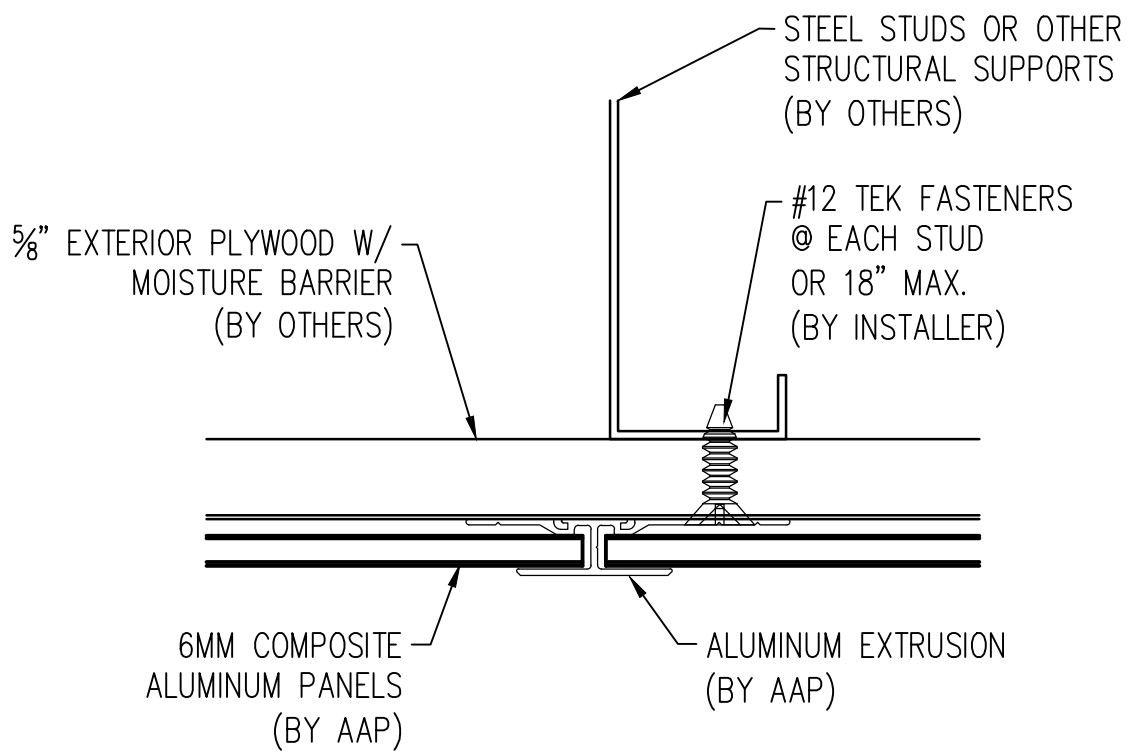
1  
**ELEVATION**



Abrams Architectural Products  
 7260 Delta Circle  
 Austell, GA 30168  
 Phone: 770.745.8728  
 Fax: 770.745.8839  
 www.abramssales.com

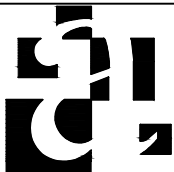
*"TIGHT-FIT"*  
**6MM COMPOSITE ALUMINUM**  
**AAP-1000**

MARCH 2011



2

**TYPICAL VERTICAL JOINT**

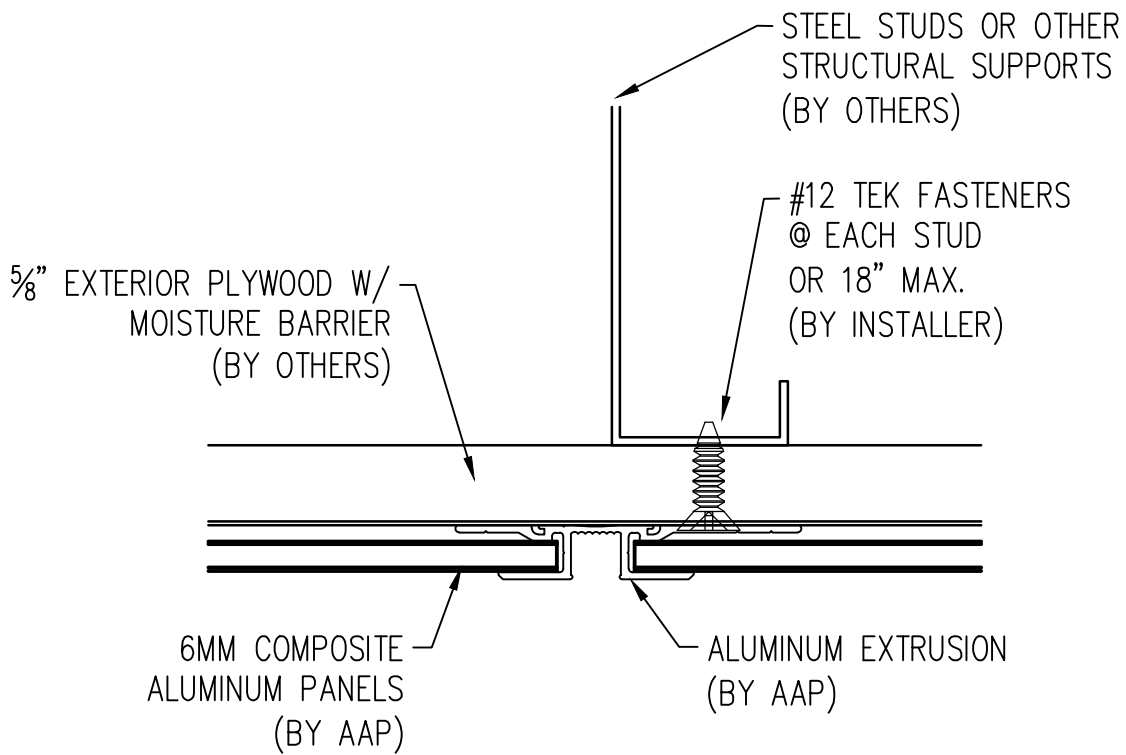


Abrams Architectural Products  
7260 Delta Circle  
Austell, GA 30168  
Phone: 770.745.8728  
Fax: 770.745.8839  
www.abramssales.com

*"TIGHT-FIT"*  
*6MM COMPOSITE ALUMINUM*  
*AAP-1000*

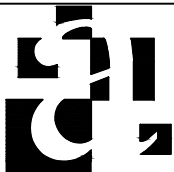
MARCH 2011

2



## 2A

### ALTERNATE TYPICAL VERTICAL JOINT

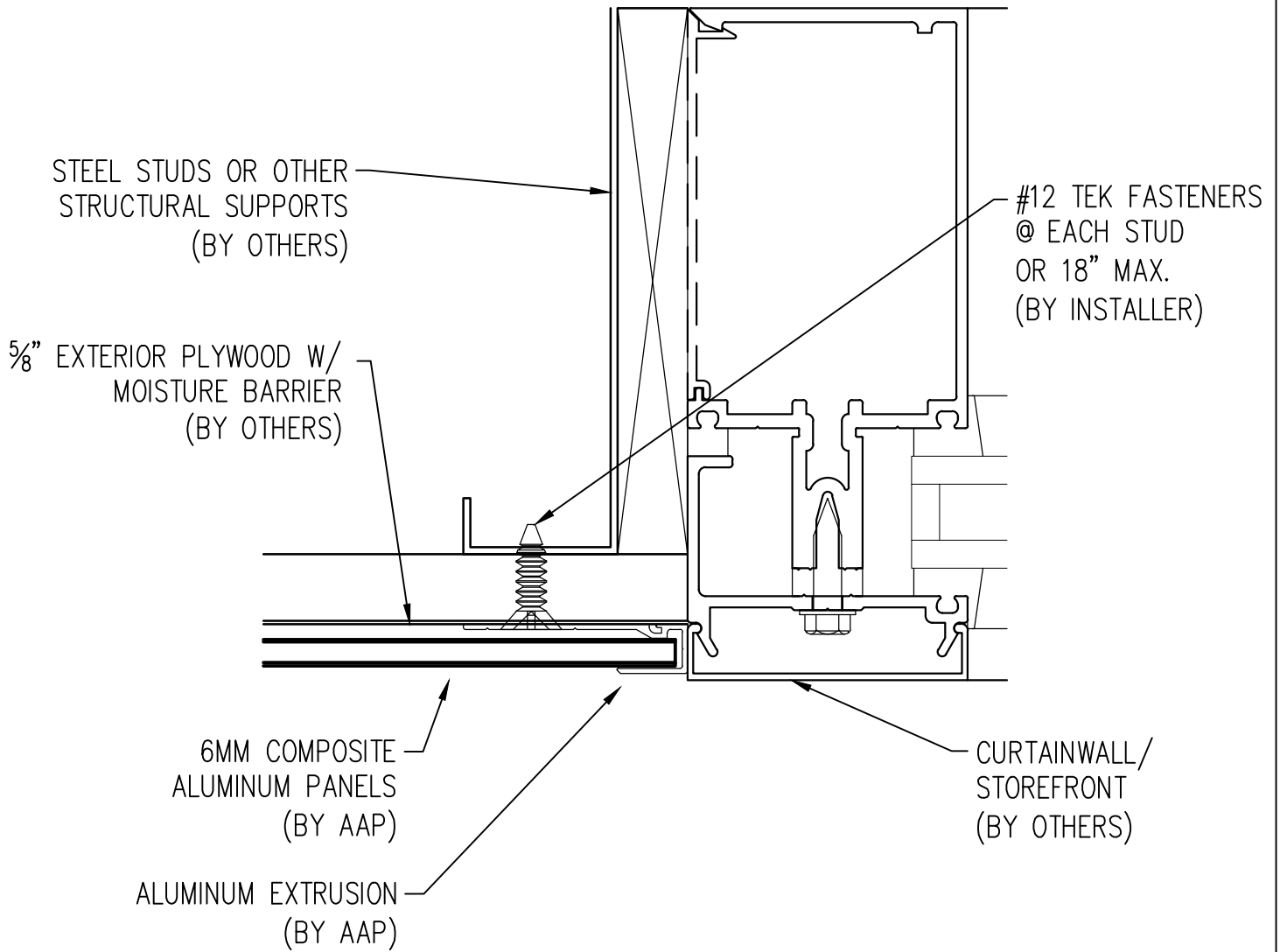


Abrams Architectural Products  
7260 Delta Circle  
Austell, GA 30168  
Phone: 770.745.8728  
Fax: 770.745.8839  
www.abramssales.com

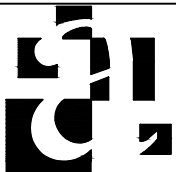
*"TIGHT-FIT"*  
*6MM COMPOSITE ALUMINUM*  
*AAP-1000*

MARCH 2011

2 A



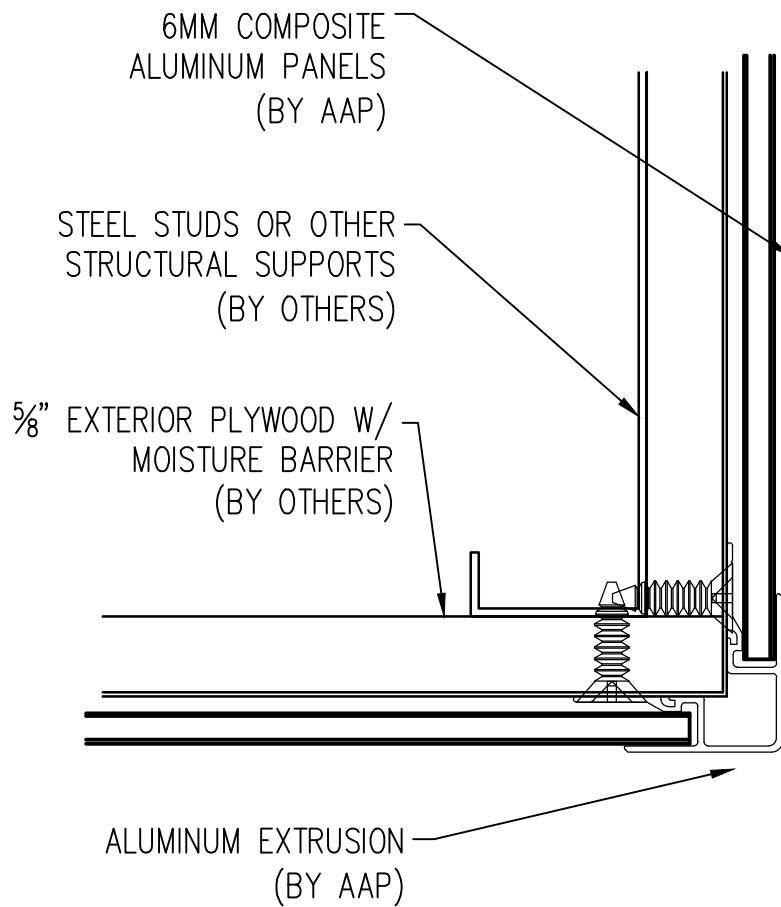
**3**  
**WINDOW JAMB**



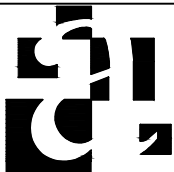
Abrams Architectural Products  
 7260 Delta Circle  
 Austell, GA 30168  
 Phone: 770.745.8728  
 Fax: 770.745.8839  
 www.abramssales.com

*"TIGHT-FIT"*  
**6MM COMPOSITE ALUMINUM**  
**AAP-1000**

MARCH 2011



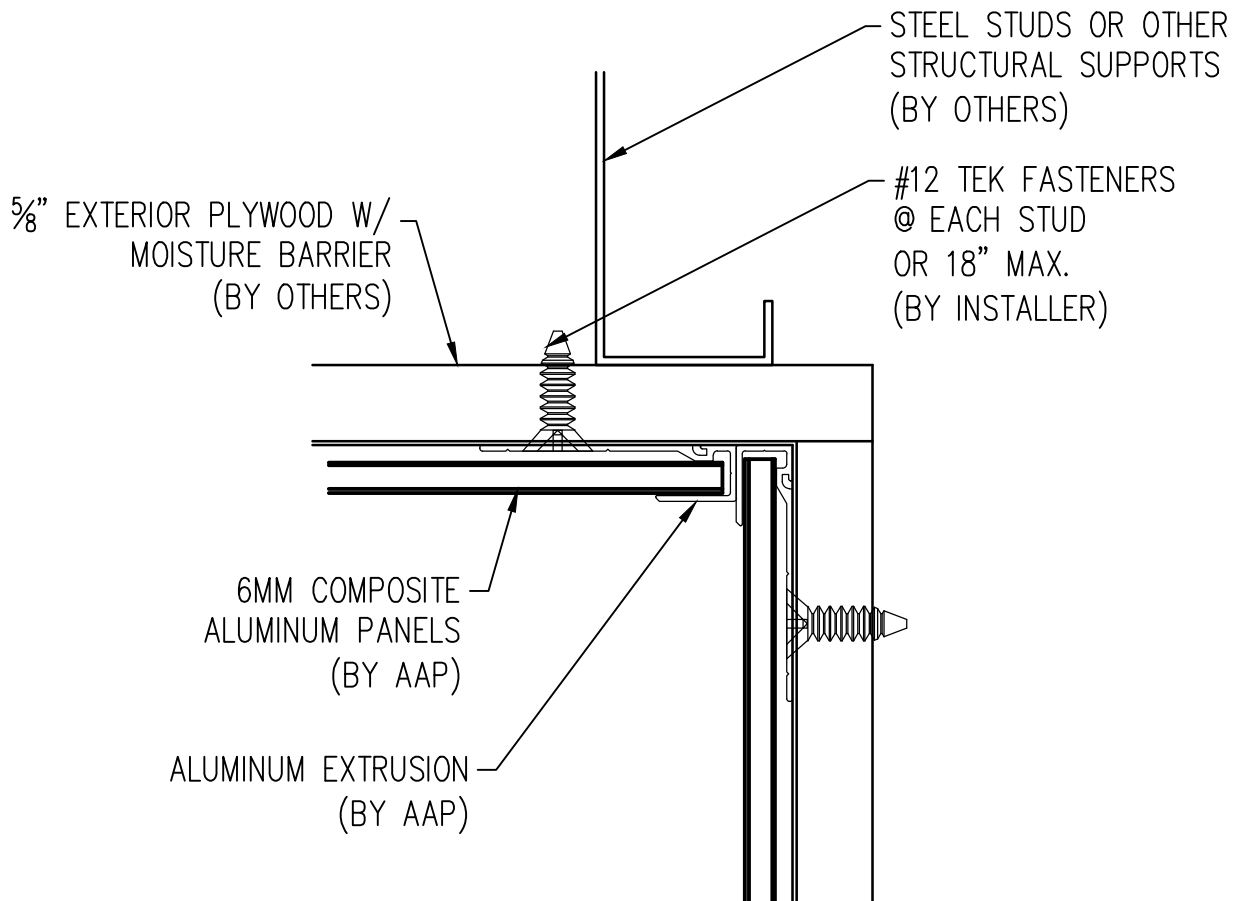
4  
**OUTSIDE CORNER**



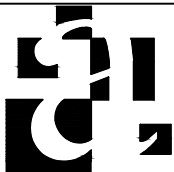
Abrams Architectural Products  
7260 Delta Circle  
Austell, GA 30168  
Phone: 770.745.8728  
Fax: 770.745.8839  
www.abramssales.com

*"TIGHT-FIT"*  
**6MM COMPOSITE ALUMINUM**  
**AAP-1000**

MARCH 2011



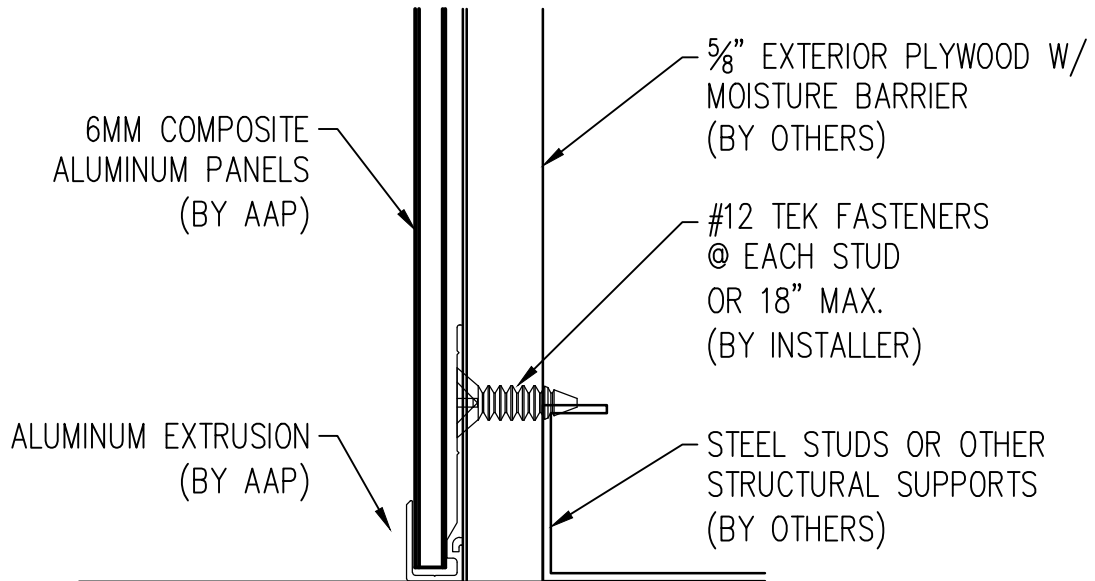
5  
**INSIDE CORNER**



Abrams Architectural Products  
7260 Delta Circle  
Austell, GA 30168  
Phone: 770.745.8728  
Fax: 770.745.8839  
www.abramssales.com

*"TIGHT-FIT"*  
**6MM COMPOSITE ALUMINUM**  
**AAP-1000**

MARCH 2011



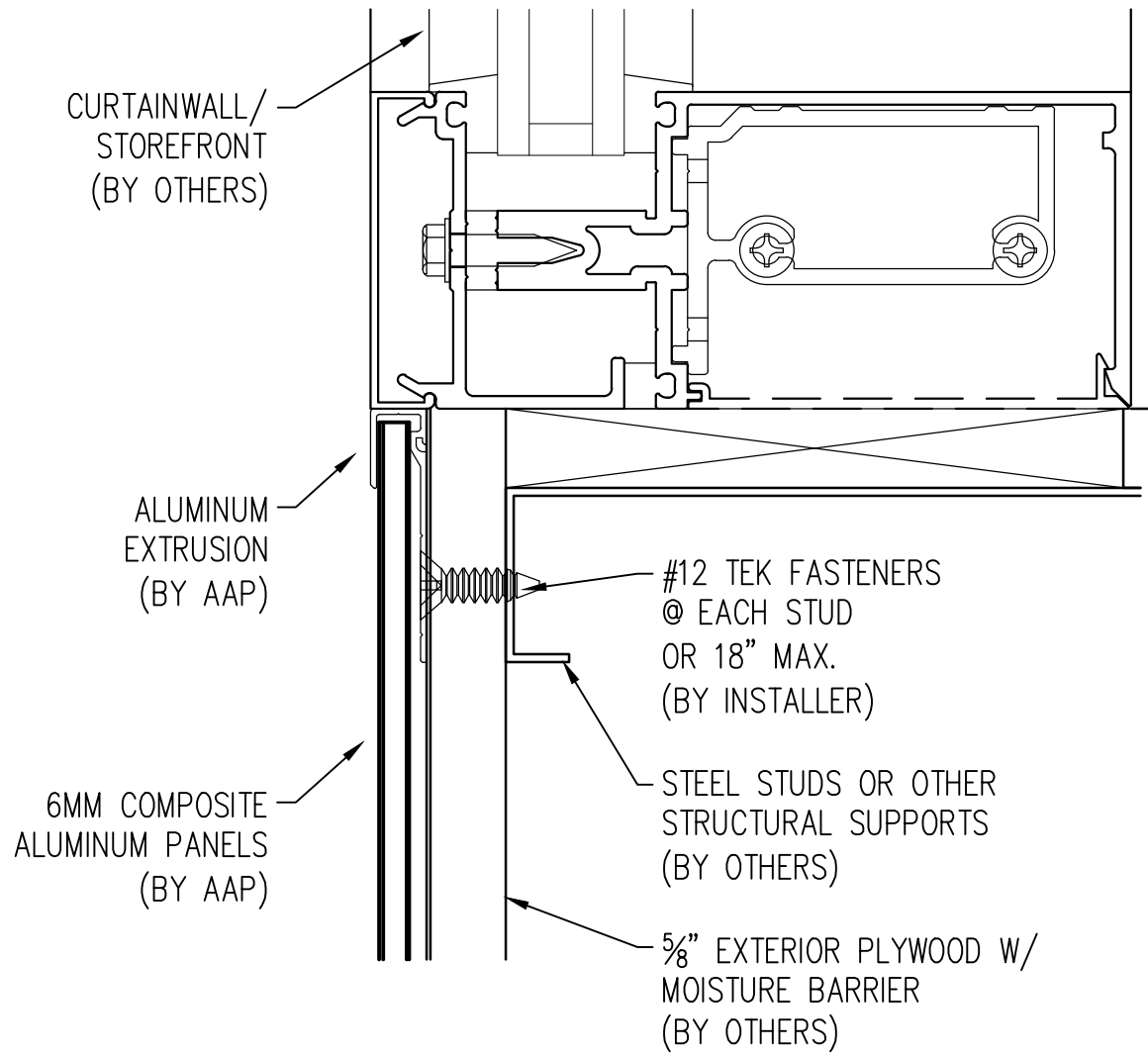
**6**  
**JAMB**



Abrams Architectural Products  
7260 Delta Circle  
Austell, GA 30168  
Phone: 770.745.8728  
Fax: 770.745.8839  
www.abramssales.com

*"TIGHT-FIT"*  
**6MM COMPOSITE ALUMINUM**  
**AAP-1000**

MARCH 2011



7  
**WINDOW SILL**

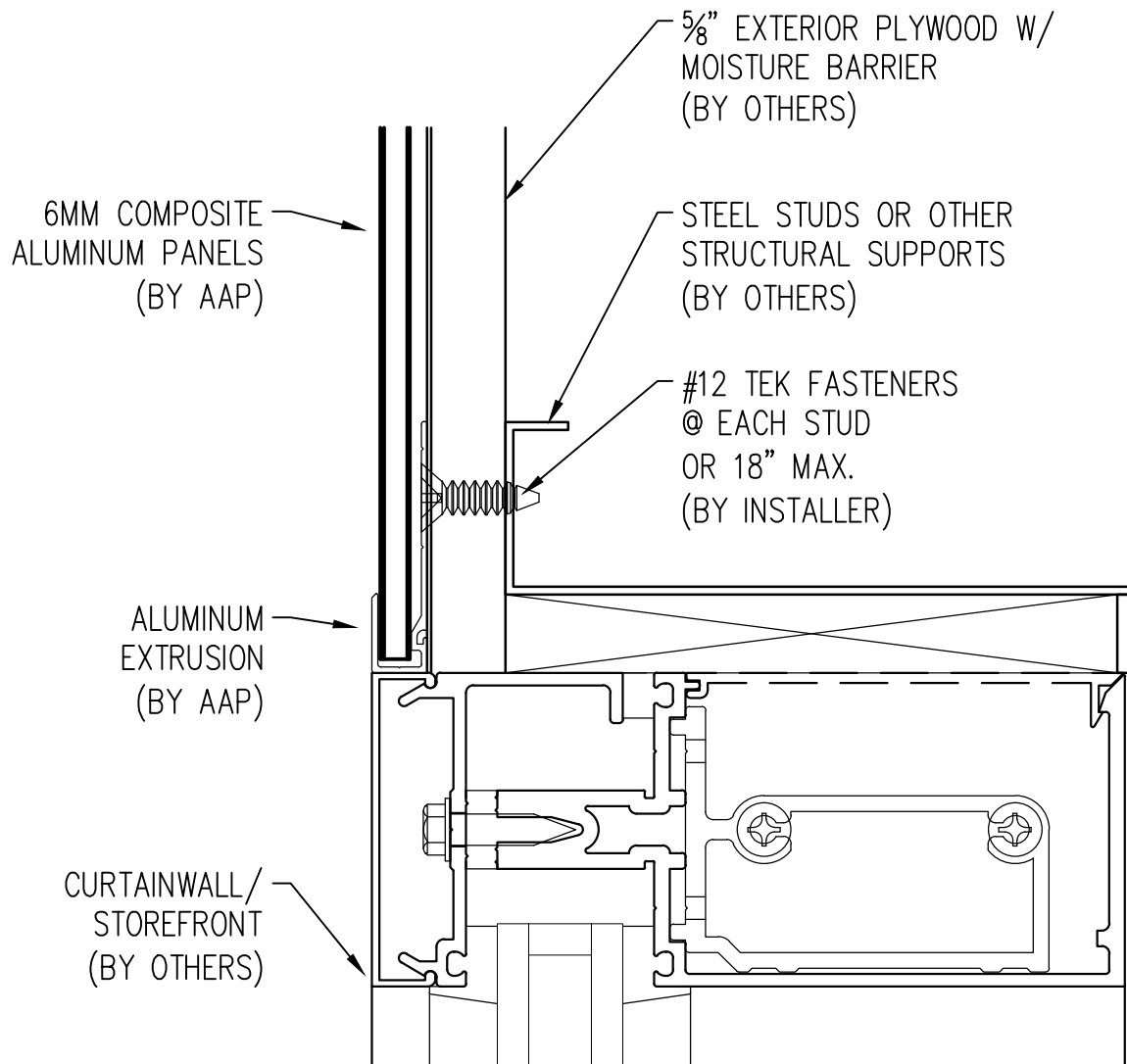


Abrams Architectural Products  
7260 Delta Circle  
Austell, GA 30168  
Phone: 770.745.8728  
Fax: 770.745.8839  
www.abramssales.com

*"TIGHT-FIT"*  
**6MM COMPOSITE ALUMINUM**  
**AAP-1000**

MARCH 2011





**8**

**WINDOW HEAD**

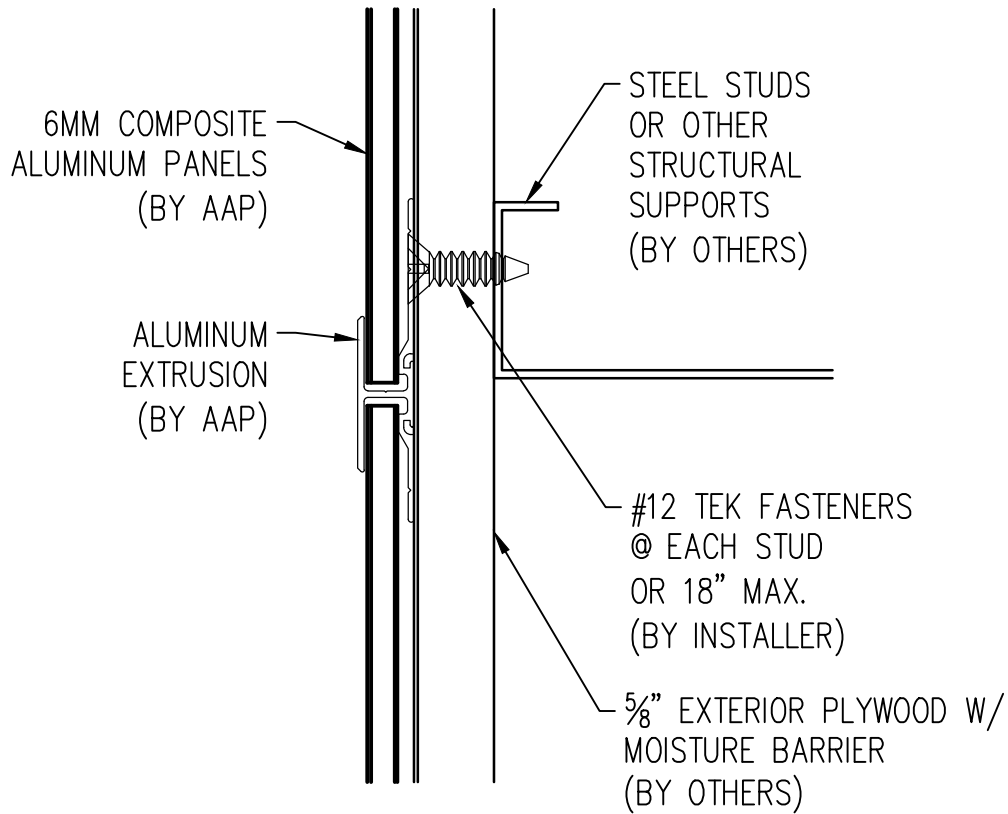


Abrams Architectural Products  
 7260 Delta Circle  
 Austell, GA 30168  
 Phone: 770.745.8728  
 Fax: 770.745.8839  
 www.abramssales.com

*"TIGHT-FIT"*  
**6MM COMPOSITE ALUMINUM**  
**AAP-1000**

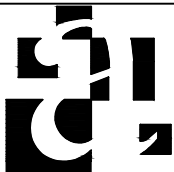
MARCH 2011

8



9

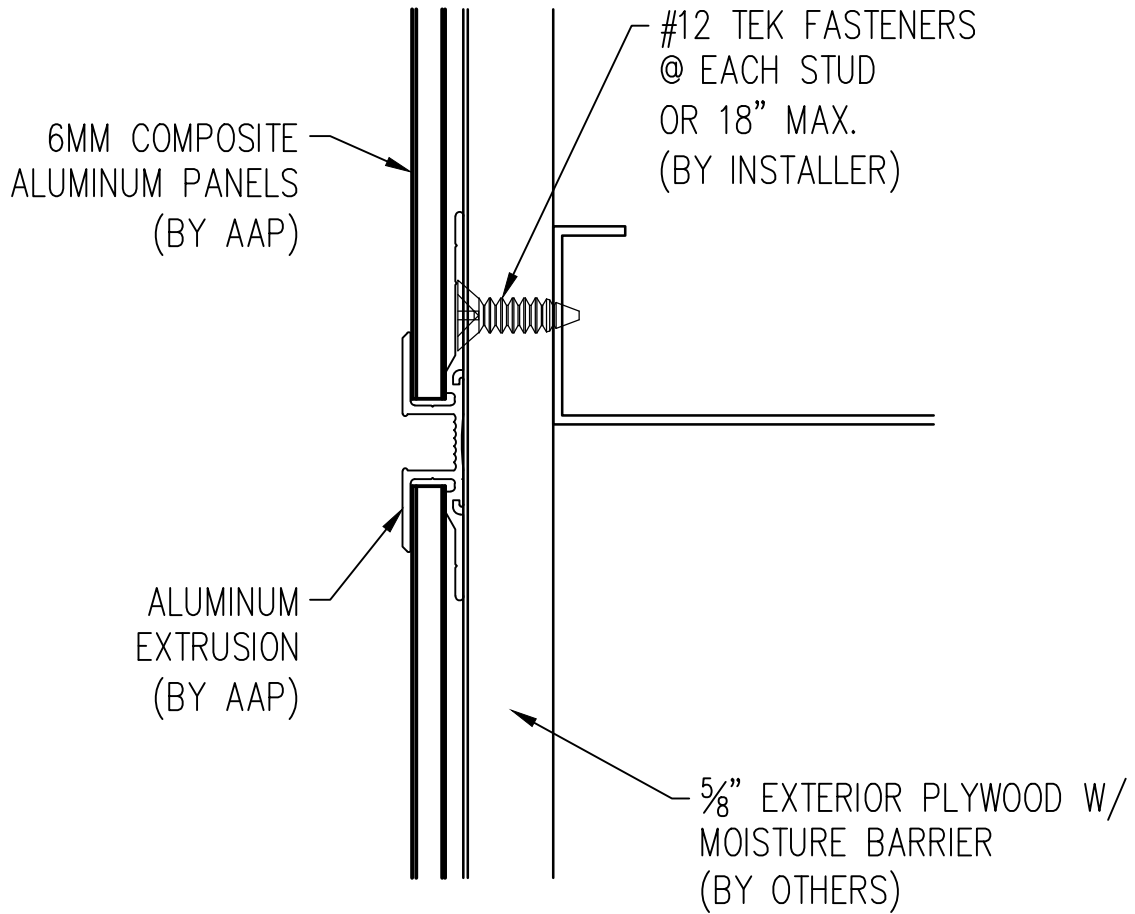
**TYPICAL HORIZONTAL JOINT**



Abrams Architectural Products  
 7260 Delta Circle  
 Austell, GA 30168  
 Phone: 770.745.8728  
 Fax: 770.745.8839  
 www.abramssales.com

*"TIGHT-FIT"*  
*6MM COMPOSITE ALUMINUM*  
*AAP-1000*

MARCH 2011



**9A**

**ALTERNATE TYPICAL HORIZONTAL JOINT**

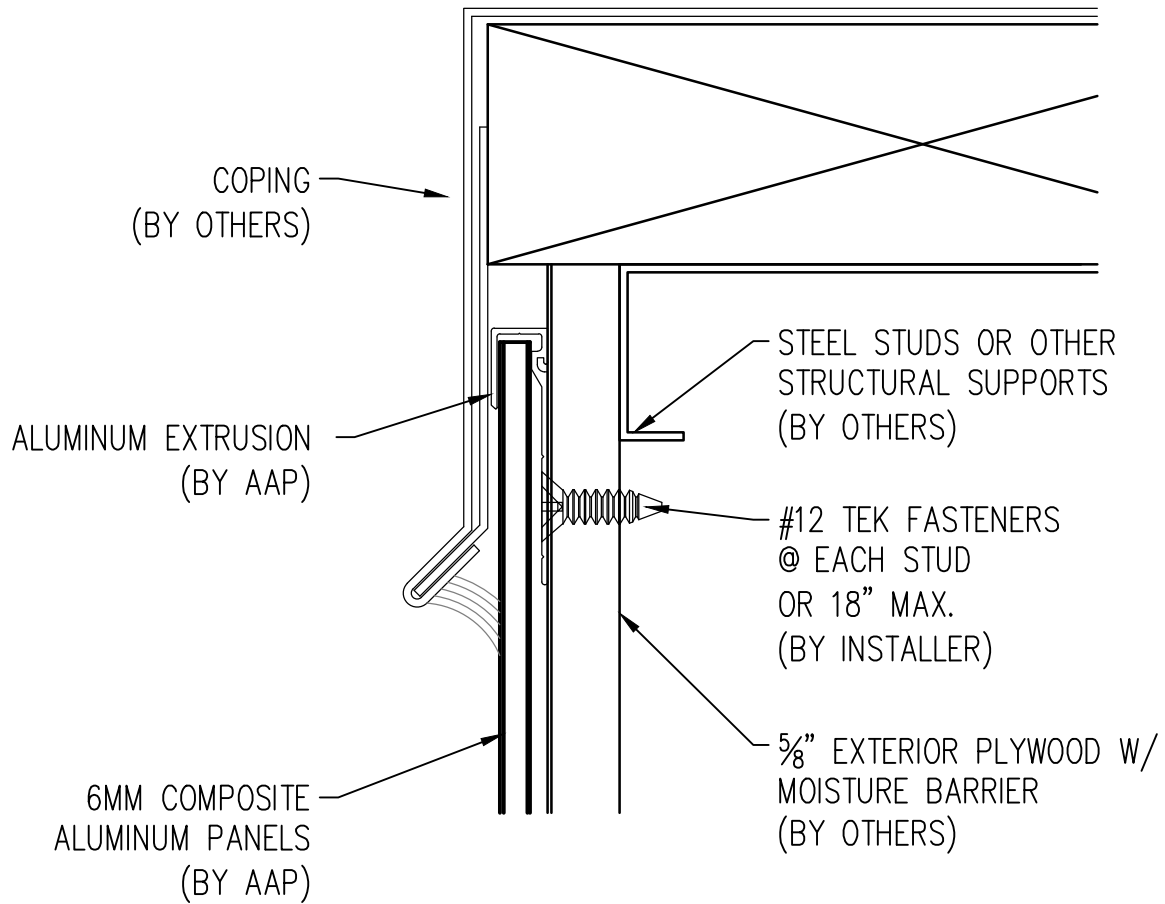


Abrams Architectural Products  
7260 Delta Circle  
Austell, GA 30168  
Phone: 770.745.8728  
Fax: 770.745.8839  
www.abramssales.com

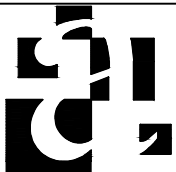
*"TIGHT-FIT"*  
*6MM COMPOSITE ALUMINUM*  
*AAP-1000*

MARCH 2011

9 A



**10**  
**COPING**

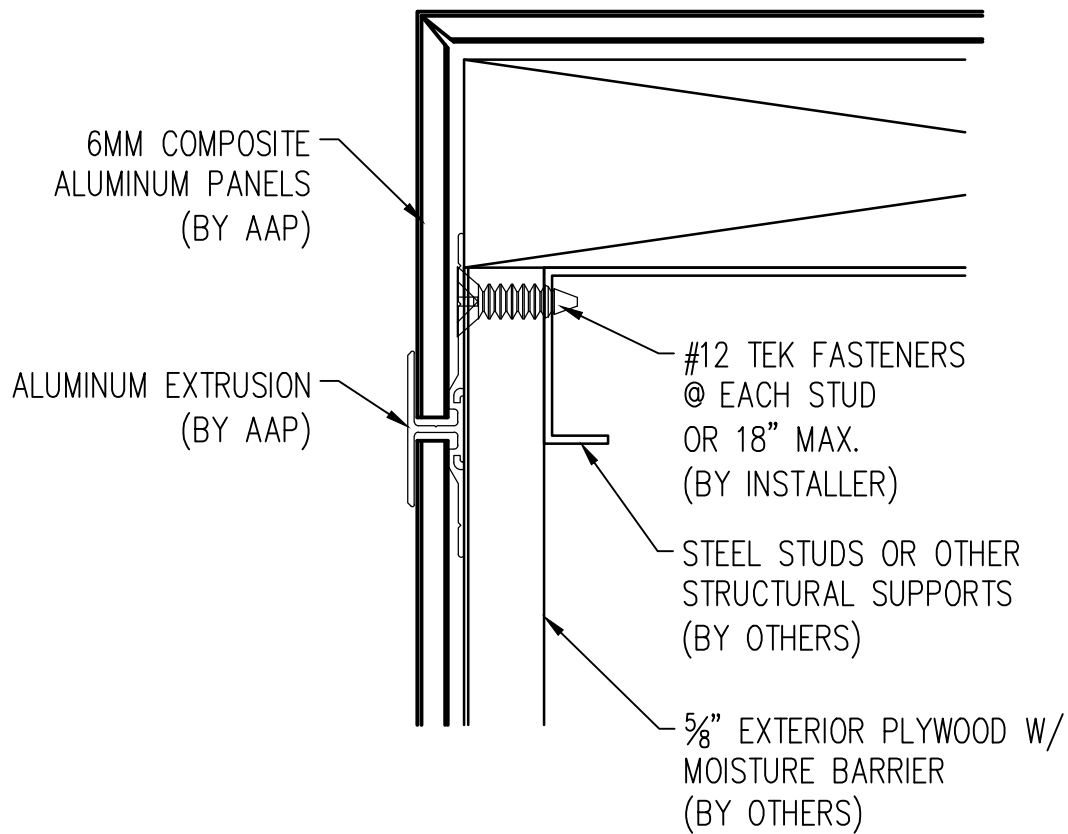


Abrams Architectural Products  
7260 Delta Circle  
Austell, GA 30168  
Phone: 770.745.8728  
Fax: 770.745.8839  
www.abramssales.com

*”TIGHT-FIT”*  
*6MM COMPOSITE ALUMINUM*  
*AAP-1000*

*MARCH 2011*

*10*



**10A**  
**ALTERNATE COPING**

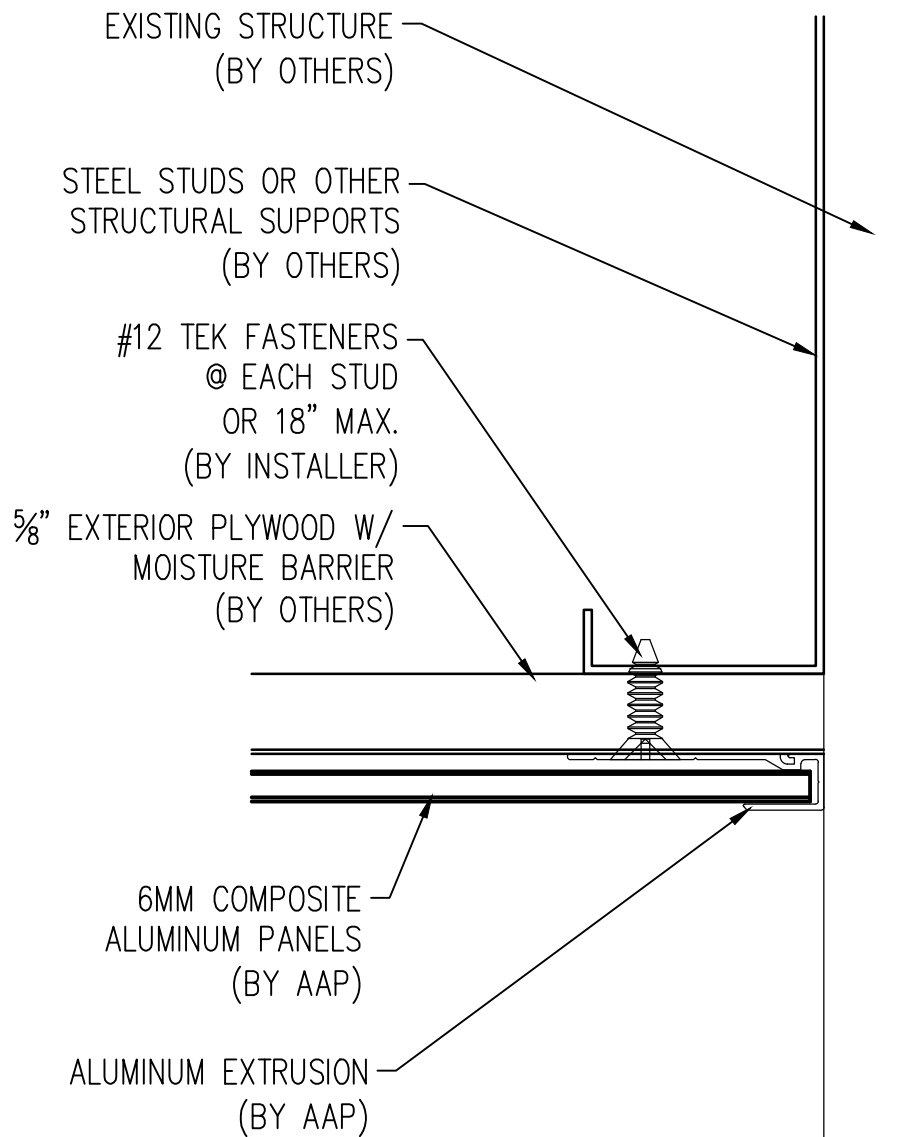


Abrams Architectural Products  
 7260 Delta Circle  
 Austell, GA 30168  
 Phone: 770.745.8728  
 Fax: 770.745.8839  
 www.abramssales.com

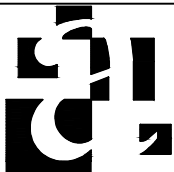
*"TIGHT-FIT"*  
 6MM COMPOSITE ALUMINUM  
 AAP-1000

MARCH 2011

10 A



**11**  
**JAMB**



Abrams Architectural Products  
7260 Delta Circle  
Austell, GA 30168  
Phone: 770.745.8728  
Fax: 770.745.8839  
www.abramssales.com

*"TIGHT-FIT"*  
**6MM COMPOSITE ALUMINUM**  
**AAP-1000**

MARCH 2011

11