

1
ELEVATION

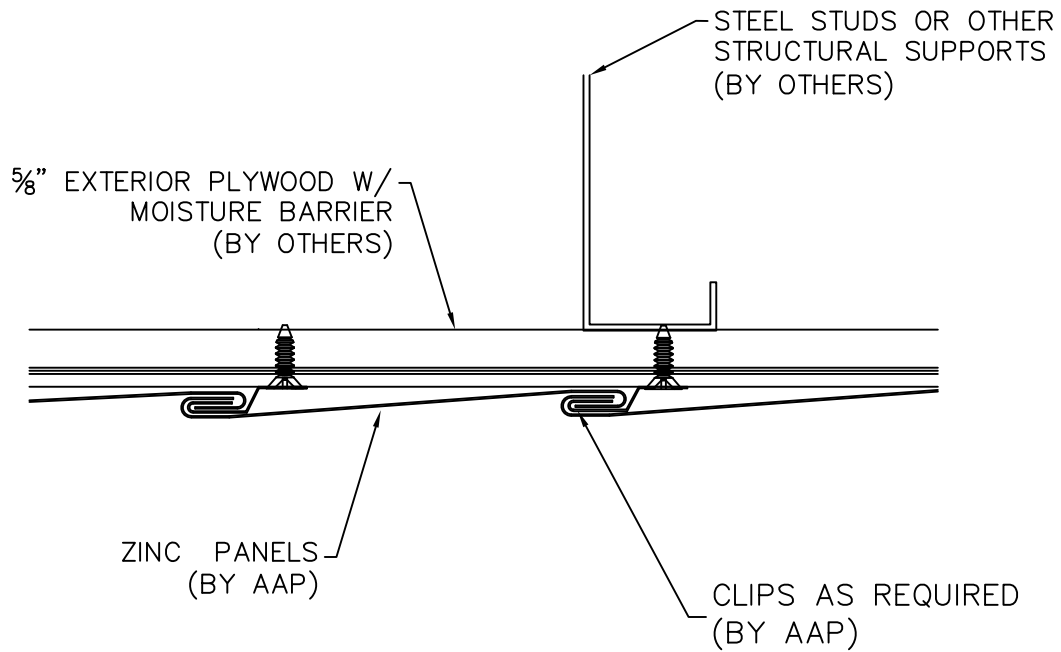


Abrams Architectural Products
7260 Delta Circle
Austell, GA 30168
770.745.8728
www.abramssales.com

"FLATLOCK"
ZINC PANEL SYSTEM
SERIES: AAP-1200

2011

1



2
TYPICAL VERTICAL JOINT

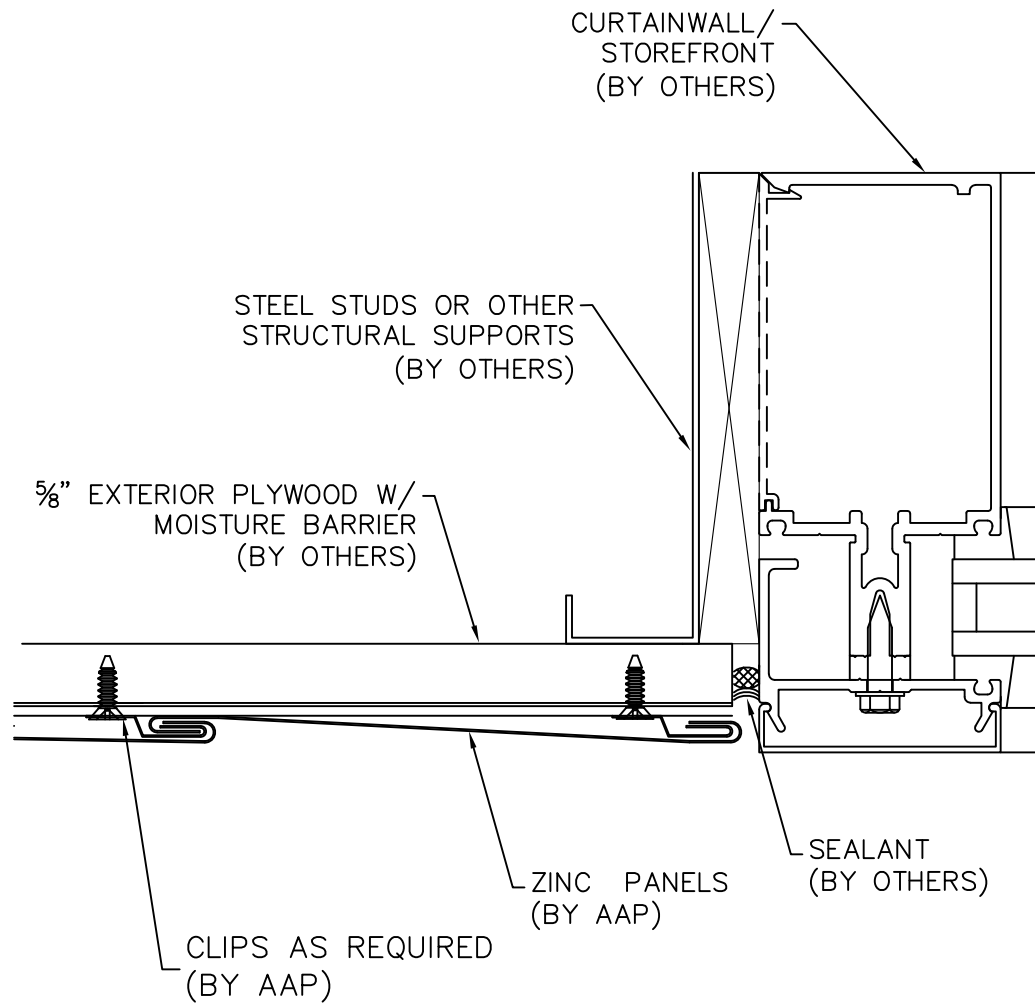


Abrams Architectural Products
7260 Delta Circle
Austell, GA 30168
770.745.8728
www.abramssales.com

"FLATLOCK"
ZINC PANEL SYSTEM
SERIES: AAP-1200

2011

2



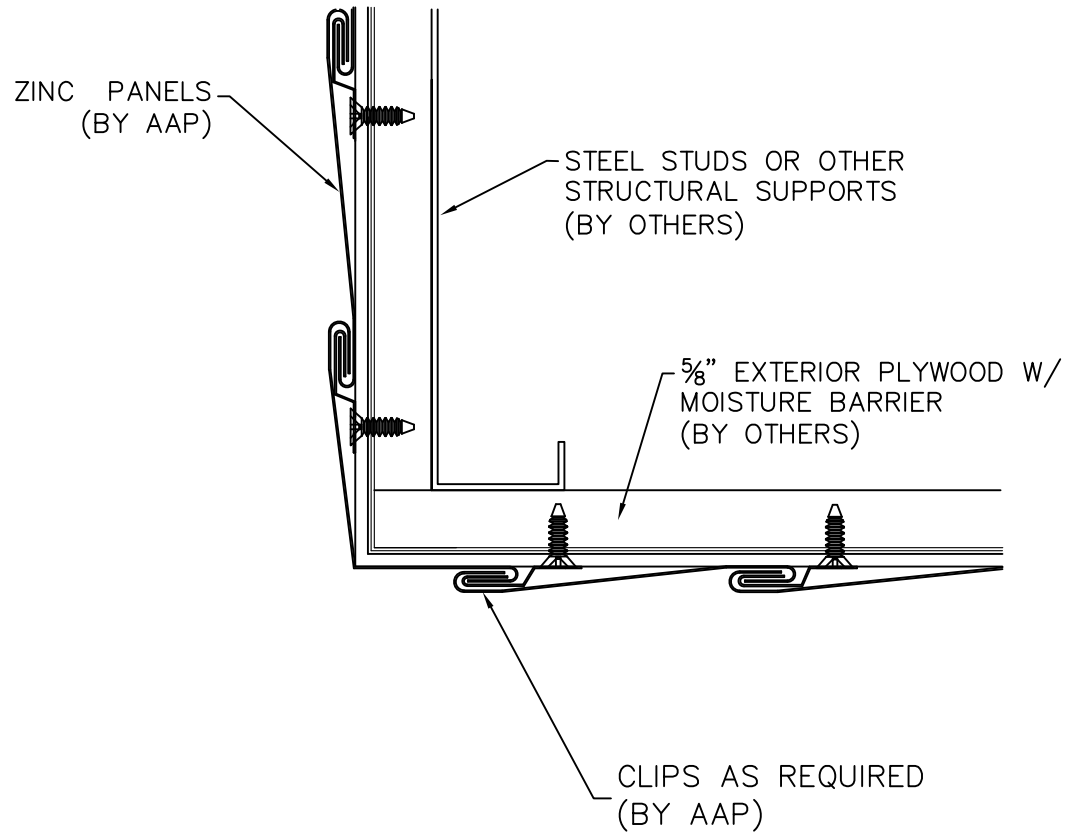
3
WINDOW JAMB



Abrams Architectural Products
 7260 Delta Circle
 Austell, GA 30168
 770.745.8728
 www.abramssales.com

"FLATLOCK"
 ZINC PANEL SYSTEM
 SERIES: AAP-1200

2011
3



4
OUTSIDE CORNER



Abrams Architectural Products
7260 Delta Circle
Austell, GA 30168
770.745.8728
www.abramssales.com

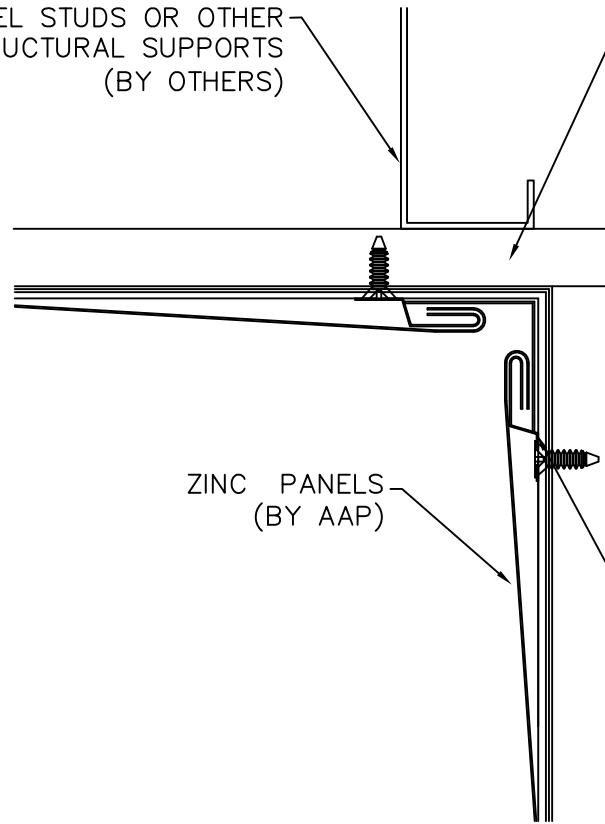
"FLATLOCK"
ZINC PANEL SYSTEM
SERIES: AAP-1200

2011

4

STEEL STUDS OR OTHER
STRUCTURAL SUPPORTS
(BY OTHERS)

5/8" EXTERIOR PLYWOOD W/
MOISTURE BARRIER
(BY OTHERS)



ZINC PANELS
(BY AAP)

CLIPS AS REQUIRED
(BY AAP)

5
INSIDE CORNER



Abrams Architectural Products
7260 Delta Circle
Austell, GA 30168
770.745.8728
www.abramssales.com

"FLATLOCK"
ZINC PANEL SYSTEM
SERIES: AAP-1200

2011

5

5/8" EXTERIOR PLYWOOD W/
MOISTURE BARRIER
(BY OTHERS)

CLIPS AS REQUIRED
(BY AAP)

STEEL STUDS OR OTHER
STRUCTURAL SUPPORTS
(BY OTHERS)

ZINC PANELS
(BY AAP)

SEALANT
(BY AAP)

6
JAMB

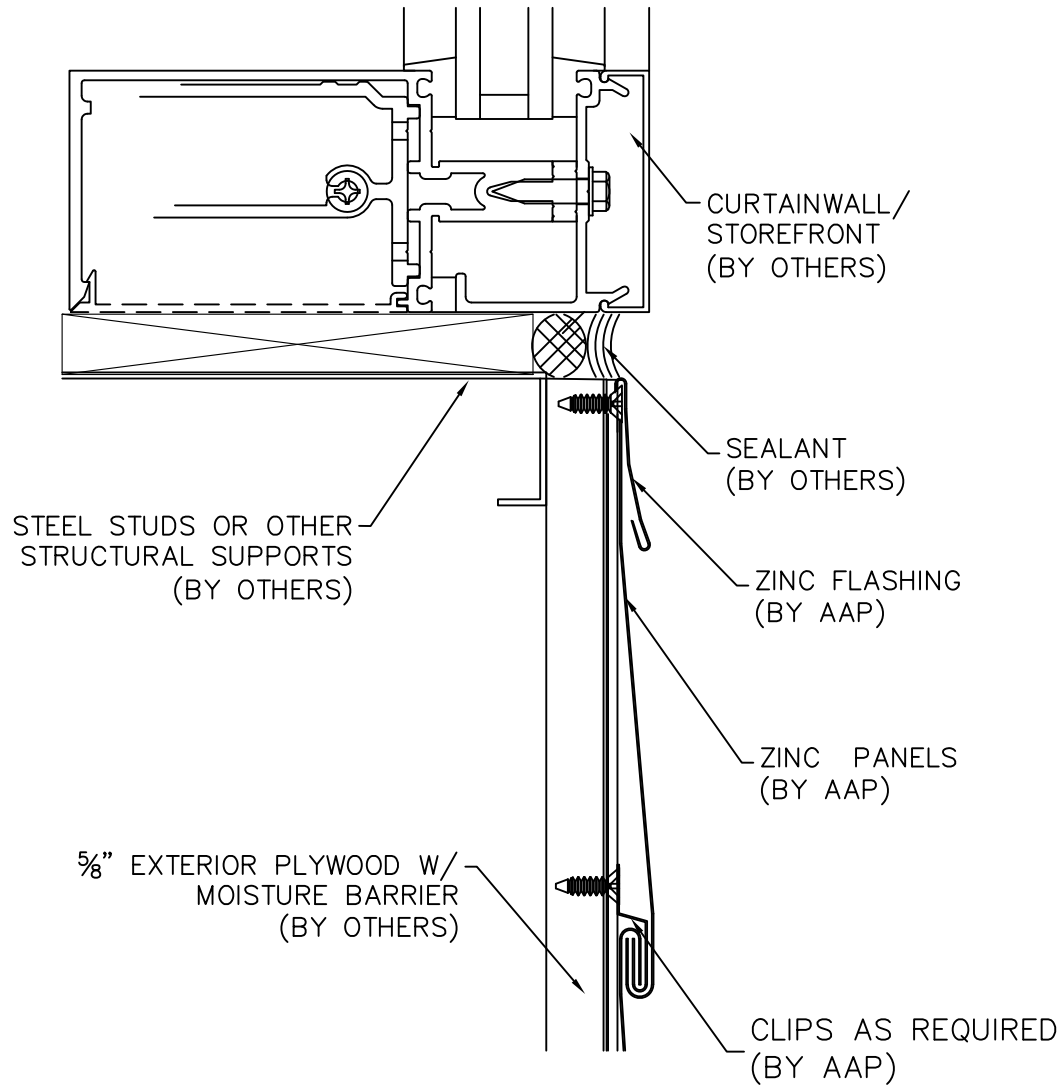


Abrams Architectural Products
7260 Delta Circle
Austell, GA 30168
770.745.8728
www.abramssales.com

"FLATLOCK"
ZINC PANEL SYSTEM
SERIES: AAP-1200

2011

6



7
WINDOW SILL

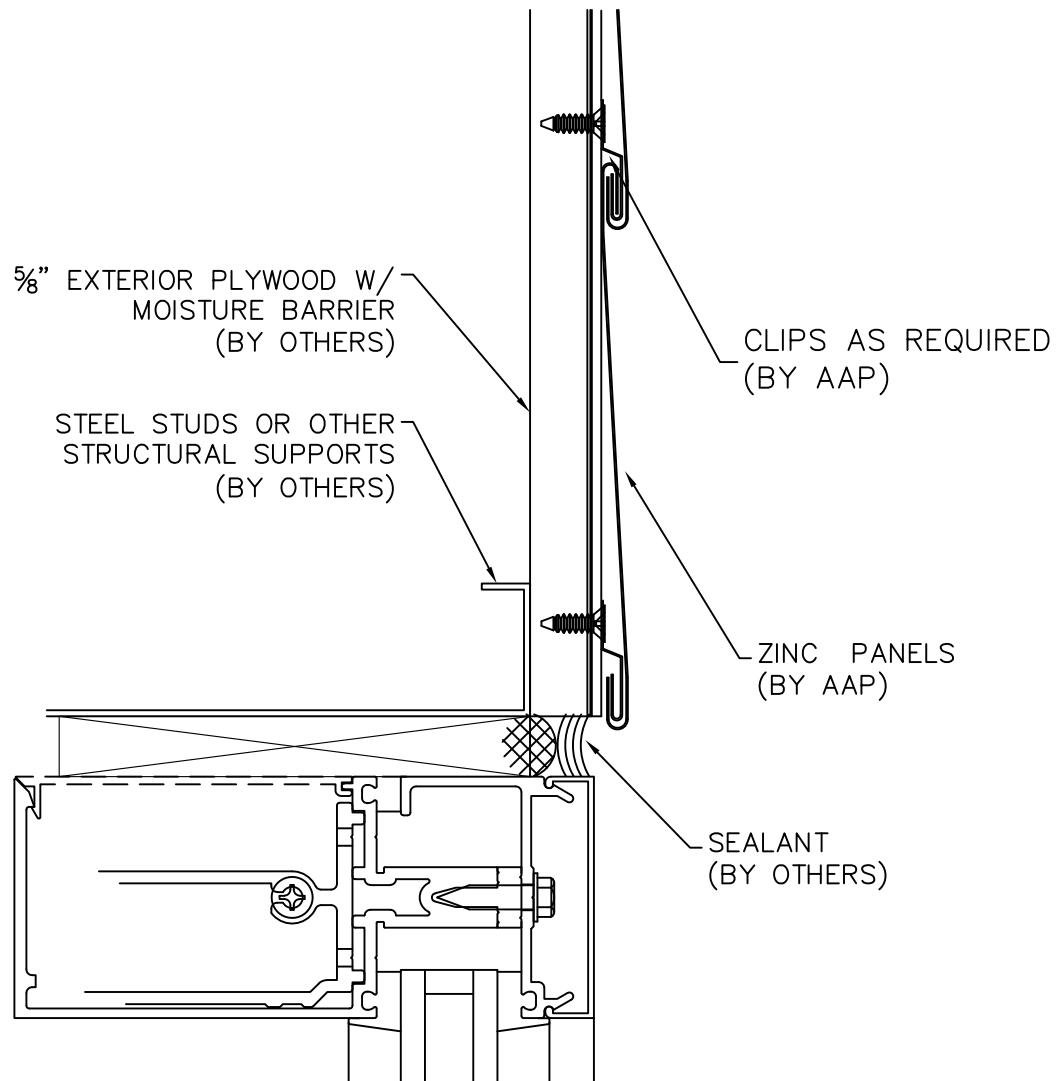


Abrams Architectural Products
7260 Delta Circle
Austell, GA 30168
770.745.8728
www.abramssales.com

"FLATLOCK"
ZINC PANEL SYSTEM
SERIES: AAP-1200

2011

7



8
WINDOW HEAD

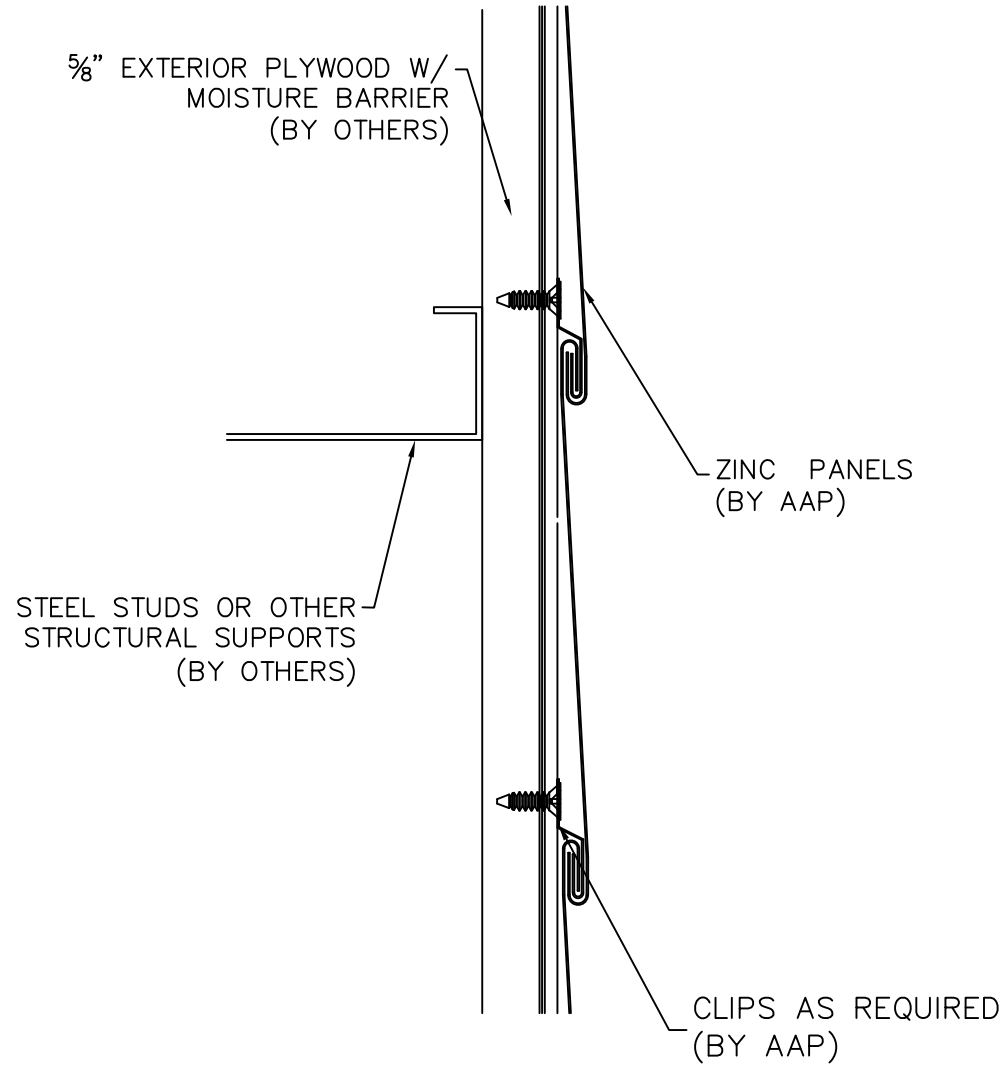


Abrams Architectural Products
7260 Delta Circle
Austell, GA 30168
770.745.8728
www.abramssales.com

"FLATLOCK"
ZINC PANEL SYSTEM
SERIES: AAP-1200

2011

8



9
TYPICAL HORIZONTAL JOINT

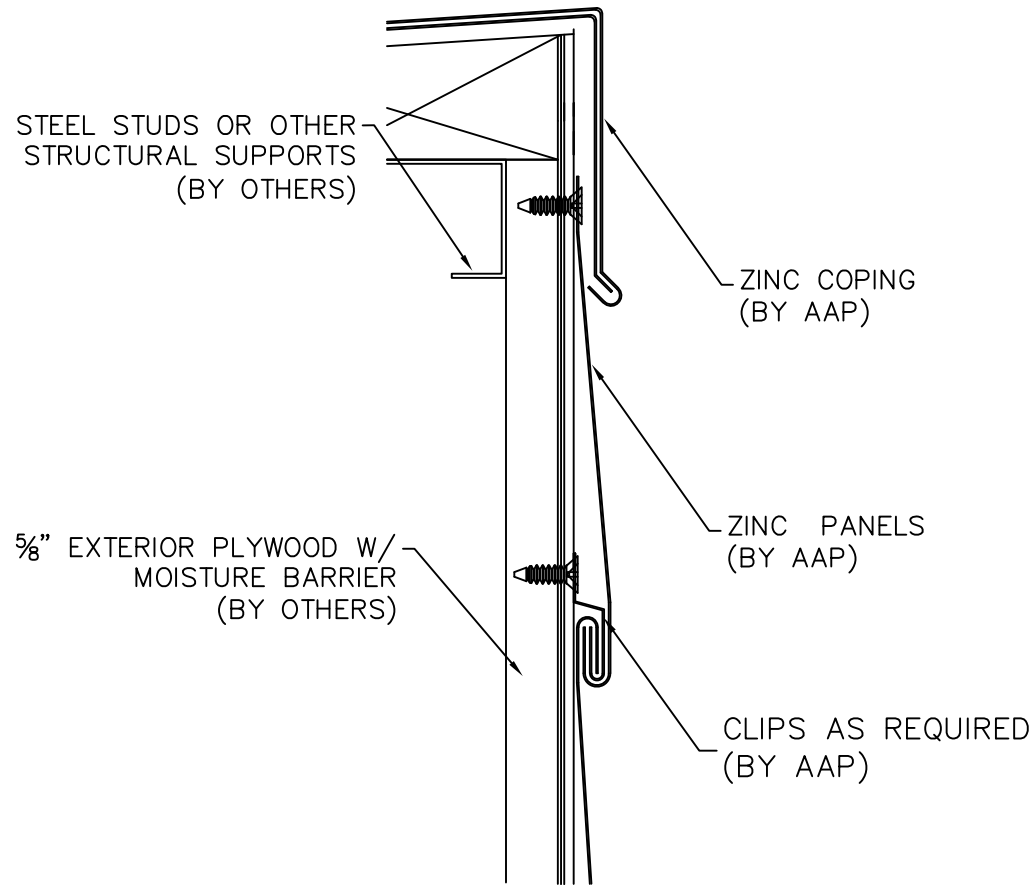


Abrams Architectural Products
7260 Delta Circle
Austell, GA 30168
770.745.8728
www.abramssales.com

"FLATLOCK"
ZINC PANEL SYSTEM
SERIES: AAP-1200

2011

9



10
COPING

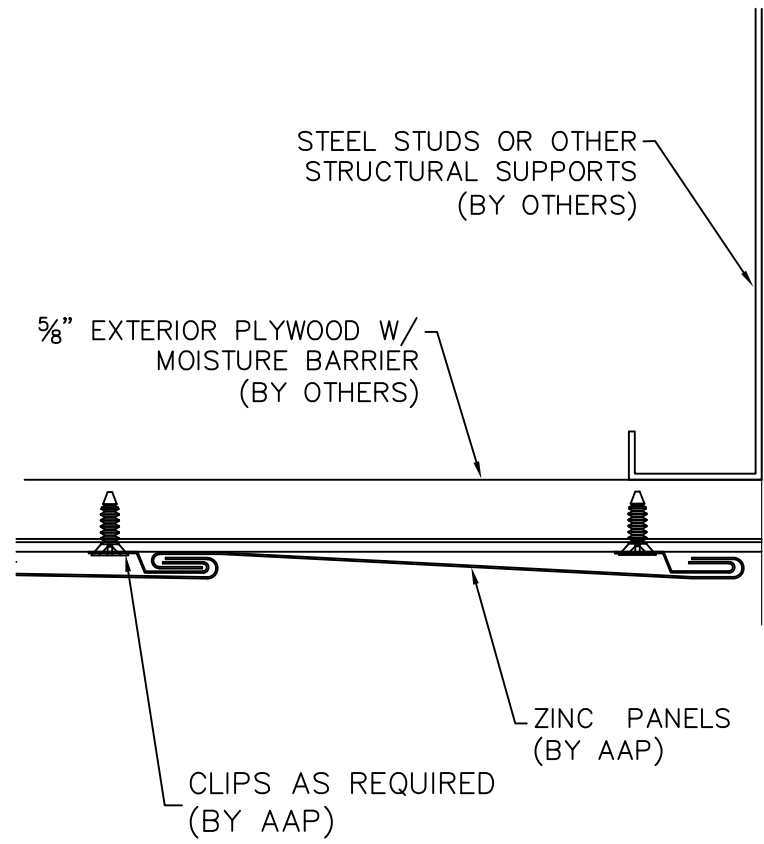


Abrams Architectural Products
7260 Delta Circle
Austell, GA 30168
770.745.8728
www.abramssales.com

"FLATLOCK"
ZINC PANEL SYSTEM
SERIES: AAP-1200

2011

10



11
TERMINATION



Abrams Architectural Products
7260 Delta Circle
Austell, GA 30168
770.745.8728
www.abramssales.com

"FLATLOCK"
ZINC PANEL SYSTEM
SERIES: AAP-1200

2011
11