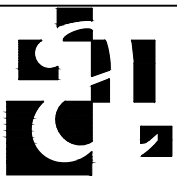


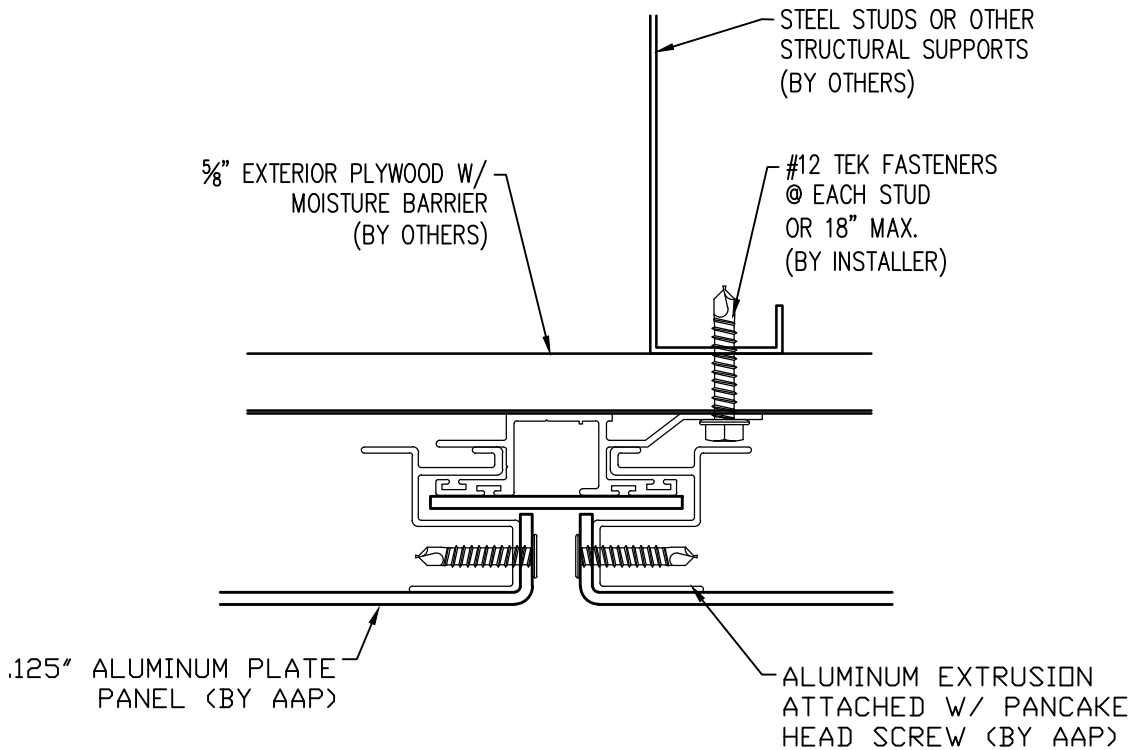
1
ELEVATION



Abrams Architectural Products
 7260 Delta Circle
 Austell, GA 30168
 Phone: 770.745.8728
 Fax: 770.745.8839
 www.abramssales.com

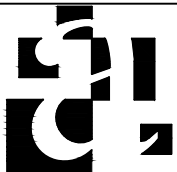
"RAIN SCREEN"
.125" ALUMINUM PLATE PANEL
AAP-125 NONCOMBUSTIBLE

MARCH 2011



2

TYPICAL VERTICAL JOINT

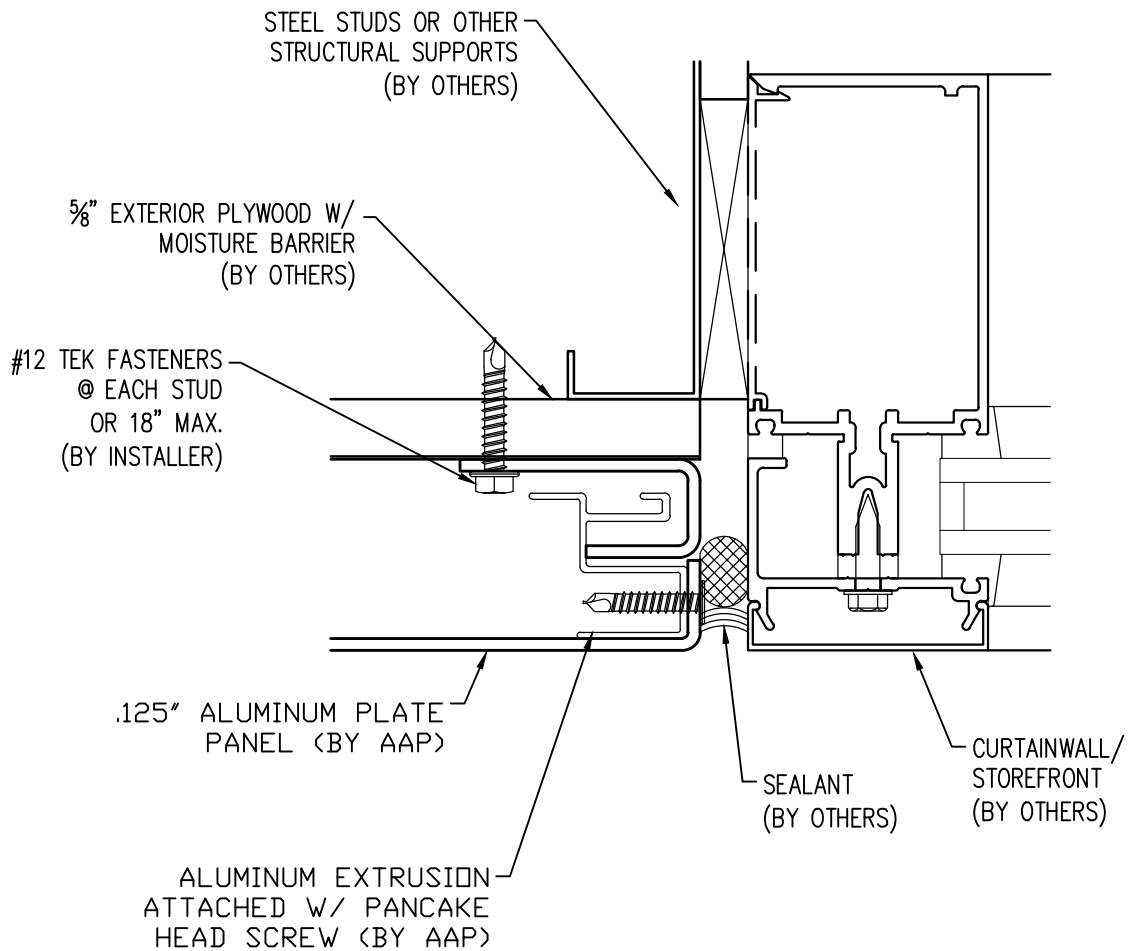


Abrams Architectural Products
7260 Delta Circle
Austell, GA 30168
Phone: 770.745.8728
Fax: 770.745.8839
www.abramssales.com

"RAIN SCREEN"
.125" ALUMINUM PLATE PANEL
AAP-125 NONCOMBUSTIBLE

MARCH 2011

2



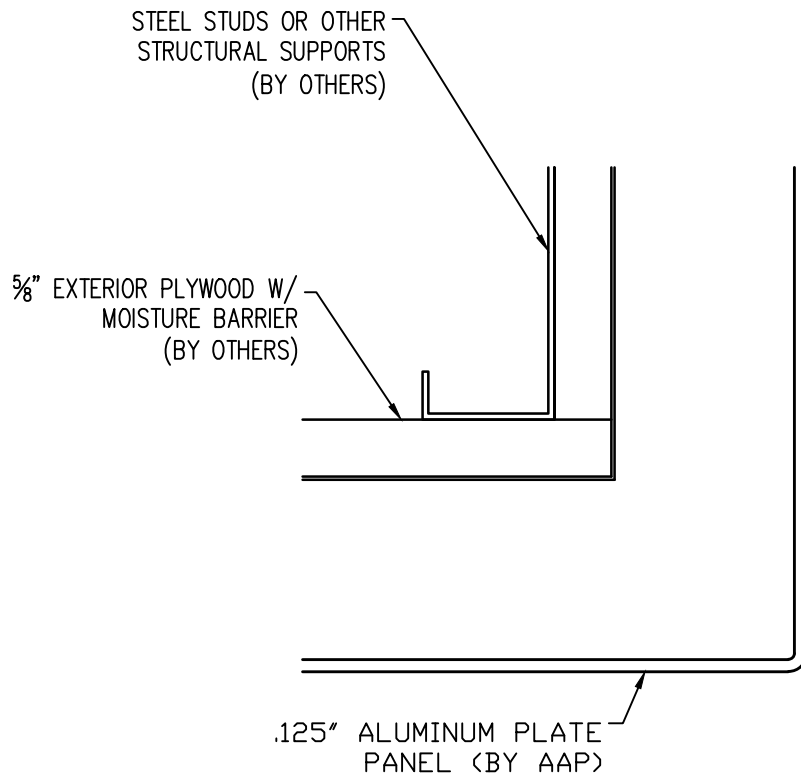
3
WINDOW JAMB



Abrams Architectural Products
7260 Delta Circle
Austell, GA 30168
Phone: 770.745.8728
Fax: 770.745.8839
www.abramssales.com

"RAIN SCREEN"
.125" ALUMINUM PLATE PANEL
AAP-125 NONCOMBUSTIBLE

MARCH 2011



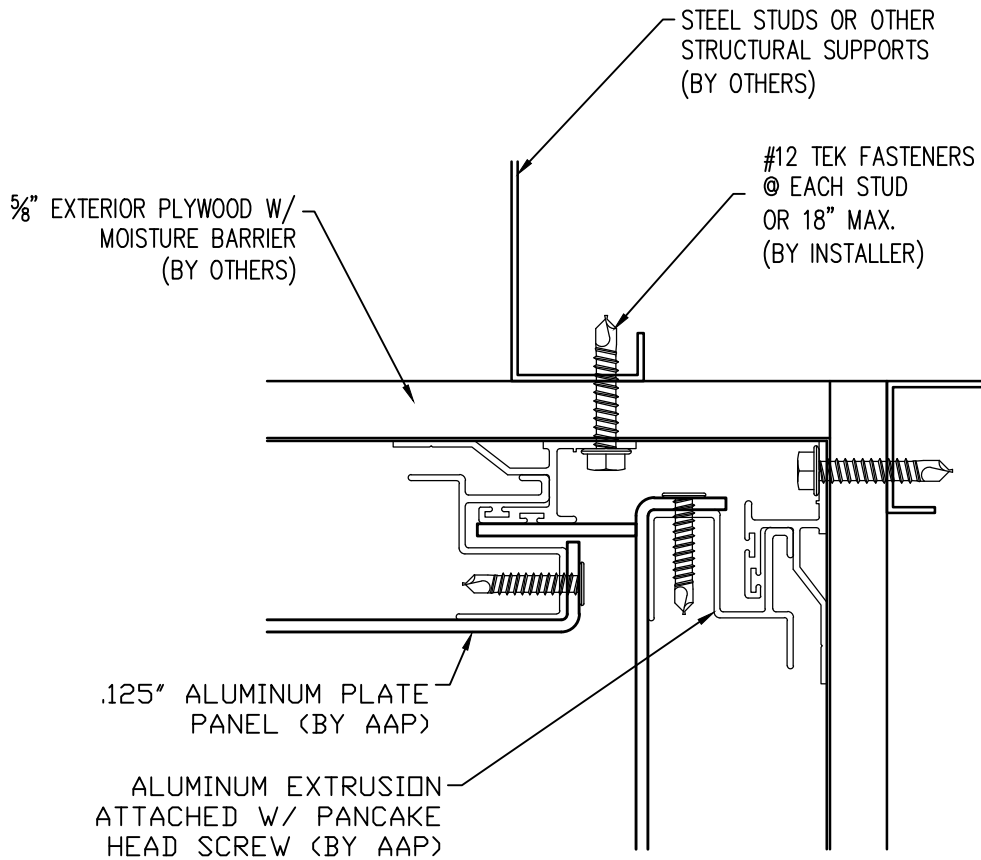
4
OUTSIDE CORNER



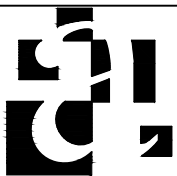
Abrams Architectural Products
7260 Delta Circle
Austell, GA 30168
Phone: 770.745.8728
Fax: 770.745.8839
www.abramssales.com

"RAIN SCREEN"
.125" ALUMINUM PLATE PANEL
AAP-125 NONCOMBUSTIBLE

MARCH 2011



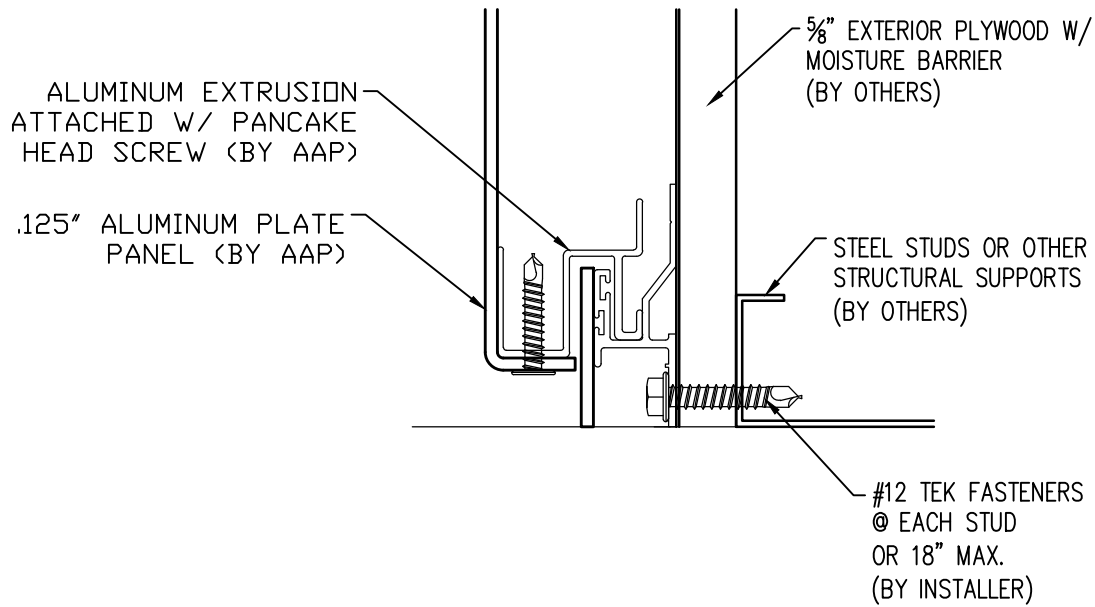
5
INSIDE CORNER



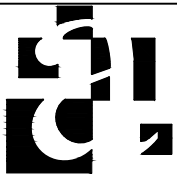
Abrams Architectural Products
7260 Delta Circle
Austell, GA 30168
Phone: 770.745.8728
Fax: 770.745.8839
www.abramssales.com

"RAIN SCREEN"
.125" ALUMINUM PLATE PANEL
AAP-125 NONCOMBUSTIBLE

MARCH 2011



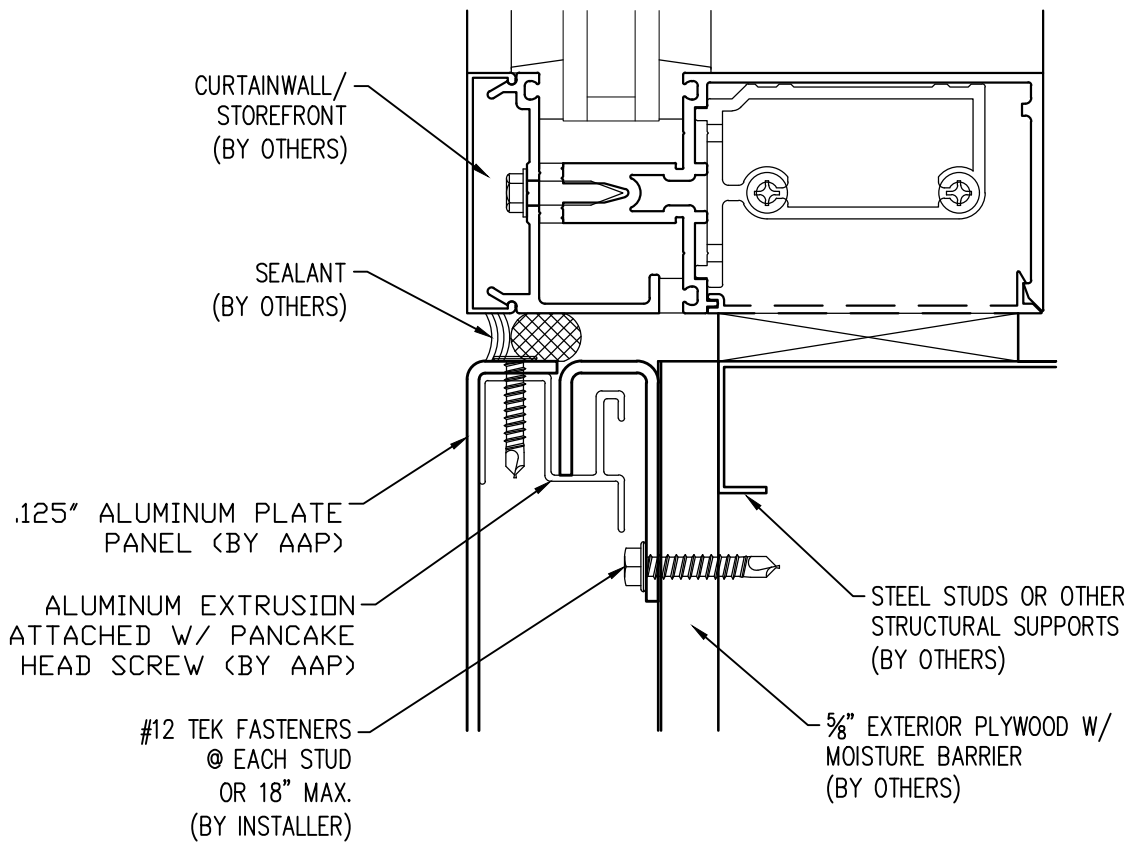
6
SILL



Abrams Architectural Products
7260 Delta Circle
Austell, GA 30168
Phone: 770.745.8728
Fax: 770.745.8839
www.abramssales.com

"RAIN SCREEN"
.125" ALUMINUM PLATE PANEL
AAP-125 NONCOMBUSTIBLE

MARCH 2011



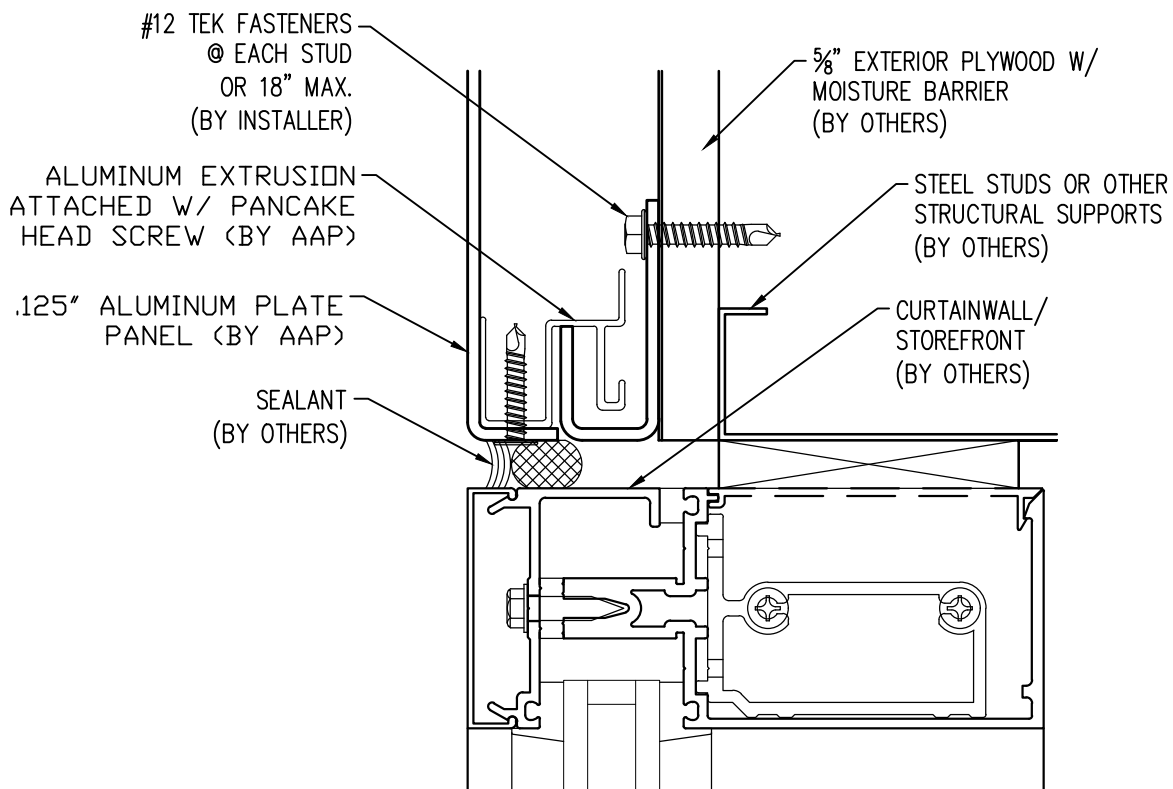
7
WINDOW SILL



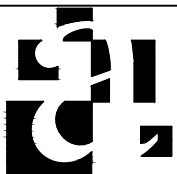
Abrams Architectural Products
7260 Delta Circle
Austell, GA 30168
Phone: 770.745.8728
Fax: 770.745.8839
www.abramssales.com

"RAIN SCREEN"
.125" ALUMINUM PLATE PANEL
AAP-125 NONCOMBUSTIBLE

MARCH 2011



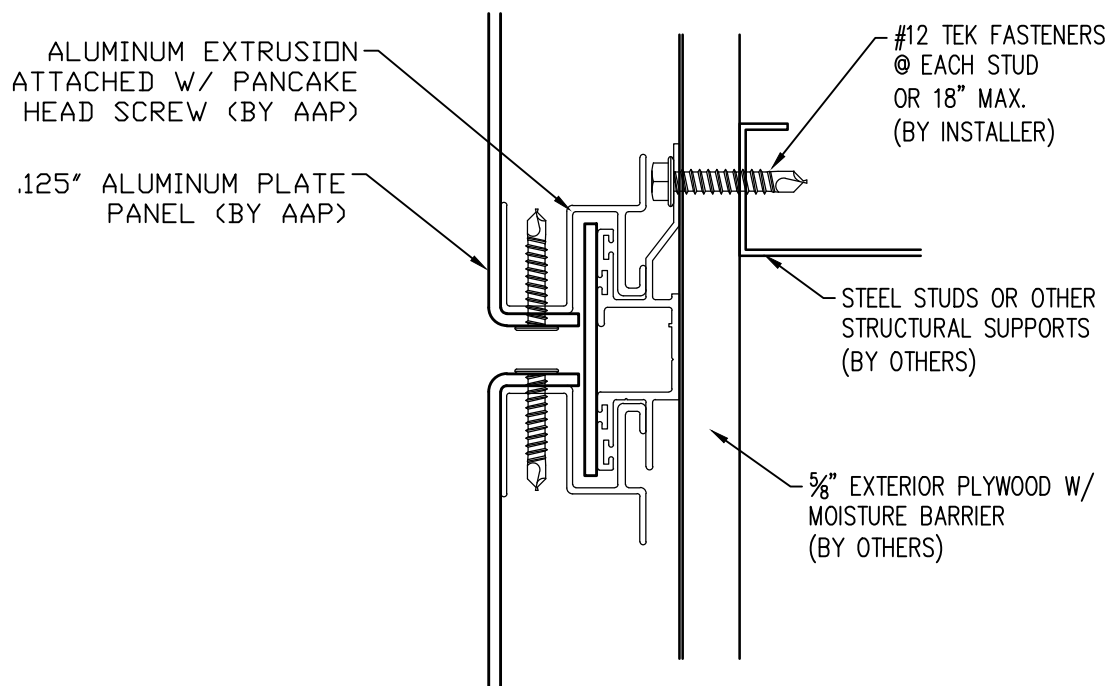
8
WINDOW HEAD



Abrams Architectural Products
7260 Delta Circle
Austell, GA 30168
Phone: 770.745.8728
Fax: 770.745.8839
www.abramssales.com

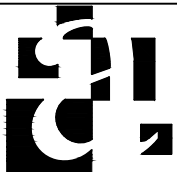
"RAIN SCREEN"
.125" ALUMINUM PLATE PANEL
AAP-125 NONCOMBUSTIBLE

MARCH 2011



9

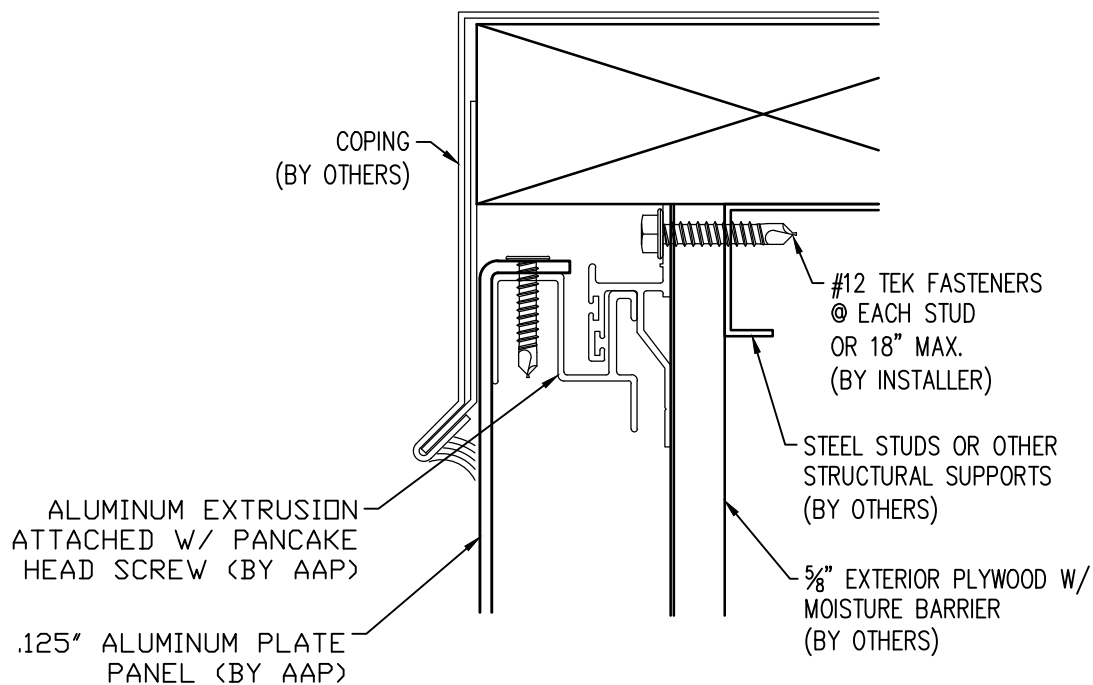
TYPICAL HORIZONTAL JOINT



Abrams Architectural Products
 7260 Delta Circle
 Austell, GA 30168
 Phone: 770.745.8728
 Fax: 770.745.8839
 www.abramssales.com

"RAIN SCREEN"
.125" ALUMINUM PLATE PANEL
AAP-125 NONCOMBUSTIBLE

MARCH 2011



10 **COPING**



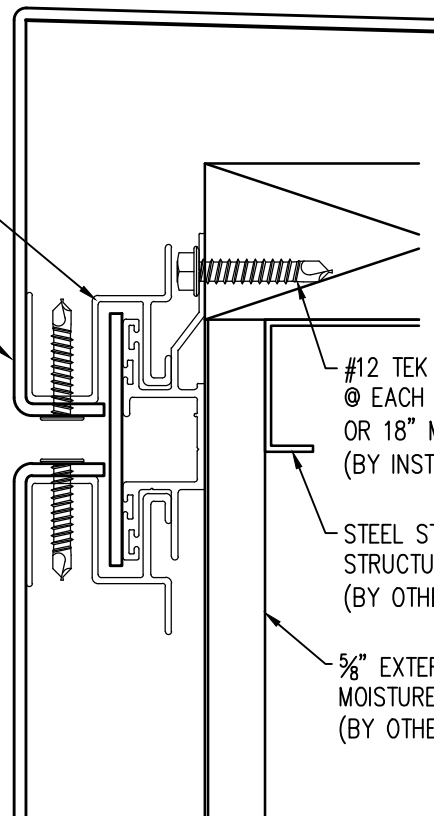
Abrams Architectural Products
7260 Delta Circle
Austell, GA 30168
Phone: 770.745.8728
Fax: 770.745.8839
www.abramssales.com

"RAIN SCREEN"
.125" ALUMINUM PLATE PANEL
AAP-125 NONCOMBUSTIBLE

MARCH 2011

ALUMINUM EXTRUSION
ATTACHED W/ PANCAKE
HEAD SCREW (BY AAP)

.125" ALUMINUM PLATE
PANEL (BY AAP)

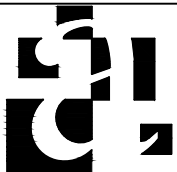


#12 TEK FASTENERS
@ EACH STUD
OR 18" MAX.
(BY INSTALLER)

STEEL STUDS OR OTHER
STRUCTURAL SUPPORTS
(BY OTHERS)

5/8" EXTERIOR PLYWOOD W/
MOISTURE BARRIER
(BY OTHERS)

10A
ALTERNATE COPING

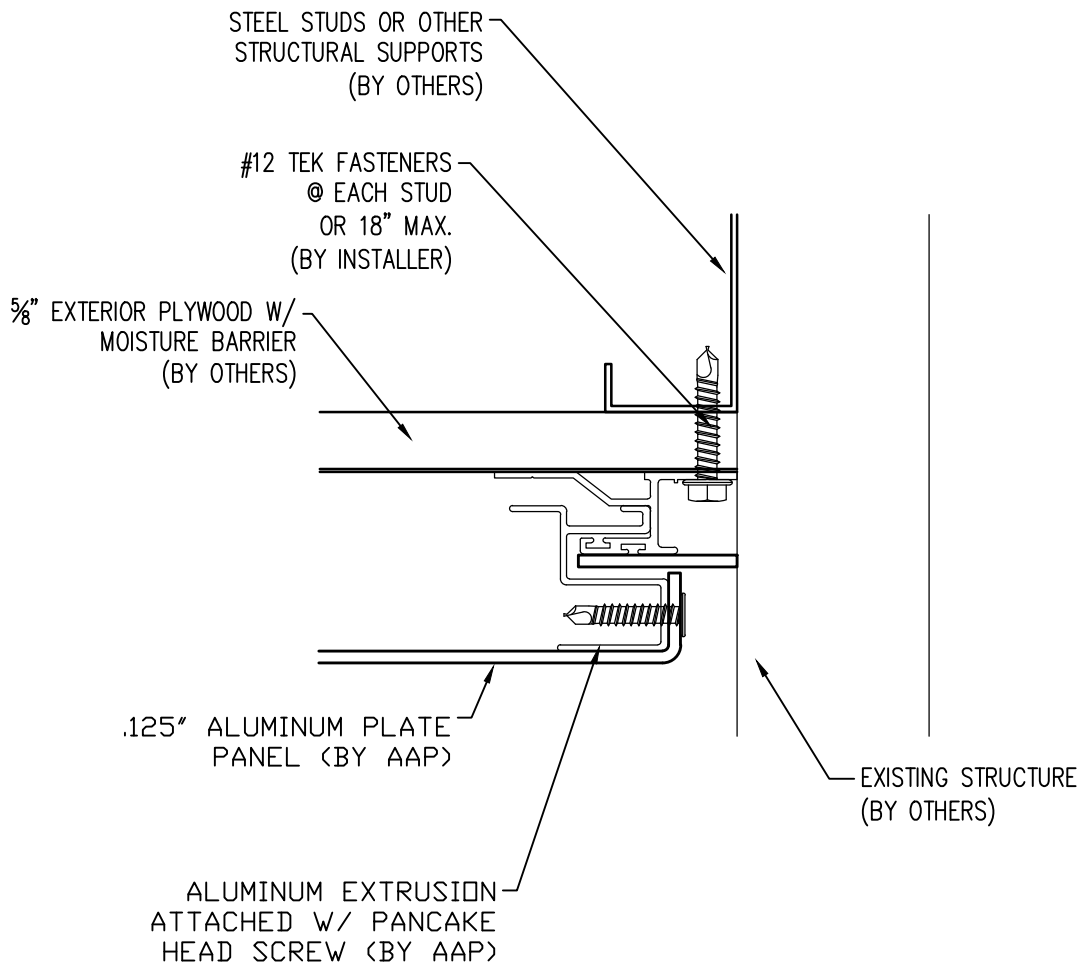


Abrams Architectural Products
7260 Delta Circle
Austell, GA 30168
Phone: 770.745.8728
Fax: 770.745.8839
www.abramssales.com

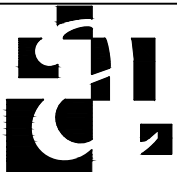
"RAIN SCREEN"
.125" ALUMINUM PLATE PANEL
AAP-125 NONCOMBUSTIBLE

MARCH 2011

10 A



11
JAMB



Abrams Architectural Products
7260 Delta Circle
Austell, GA 30168
Phone: 770.745.8728
Fax: 770.745.8839
www.abramssales.com

"RAIN SCREEN"
.125" ALUMINUM PLATE PANEL
AAP-125 NONCOMBUSTIBLE

MARCH 2011