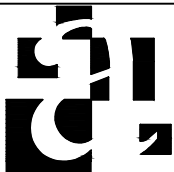


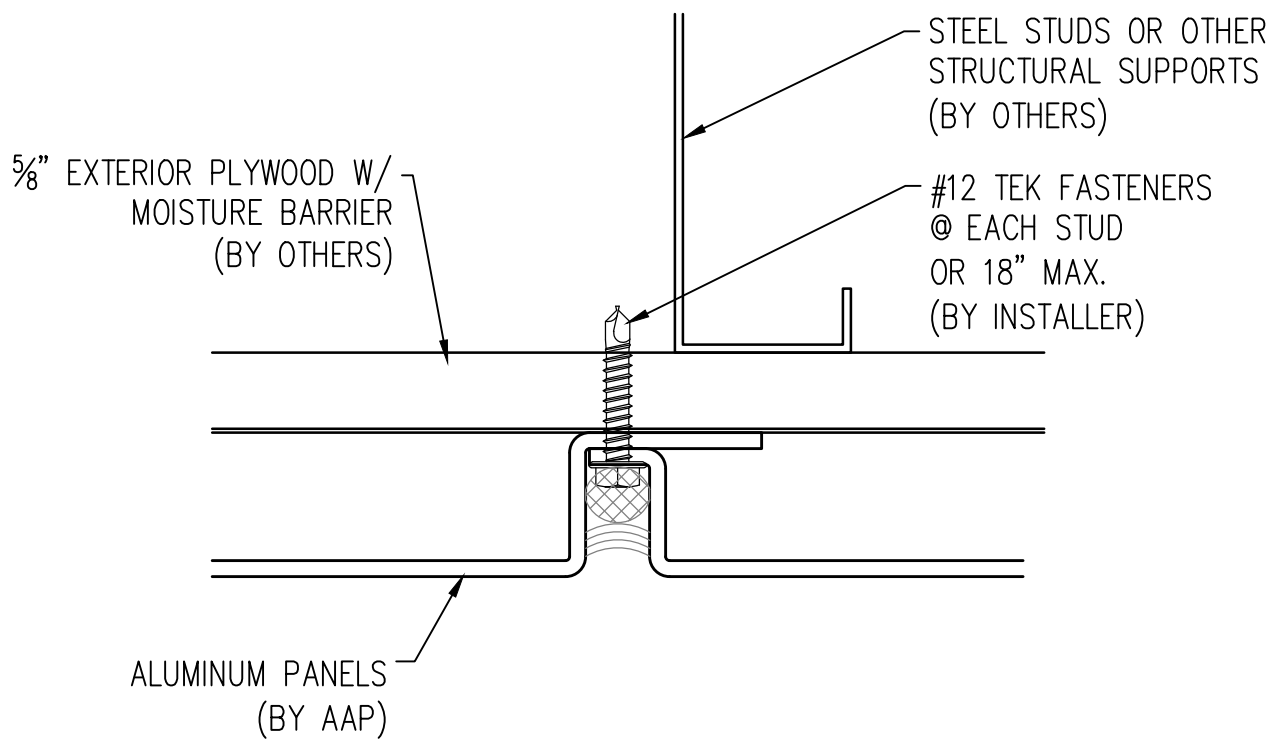
1
ELEVATION



Abrams Architectural Products
 7260 Delta Circle
 Austell, GA 30168
 Phone: 770.745.8728
 Fax: 770.745.8839
 www.abramssales.com

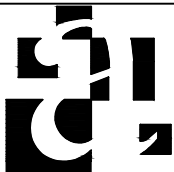
"WET-SEAL"
ALUMINUM PLATE
AAP-900

MARCH 2011



2

TYPICAL VERTICAL JOINT

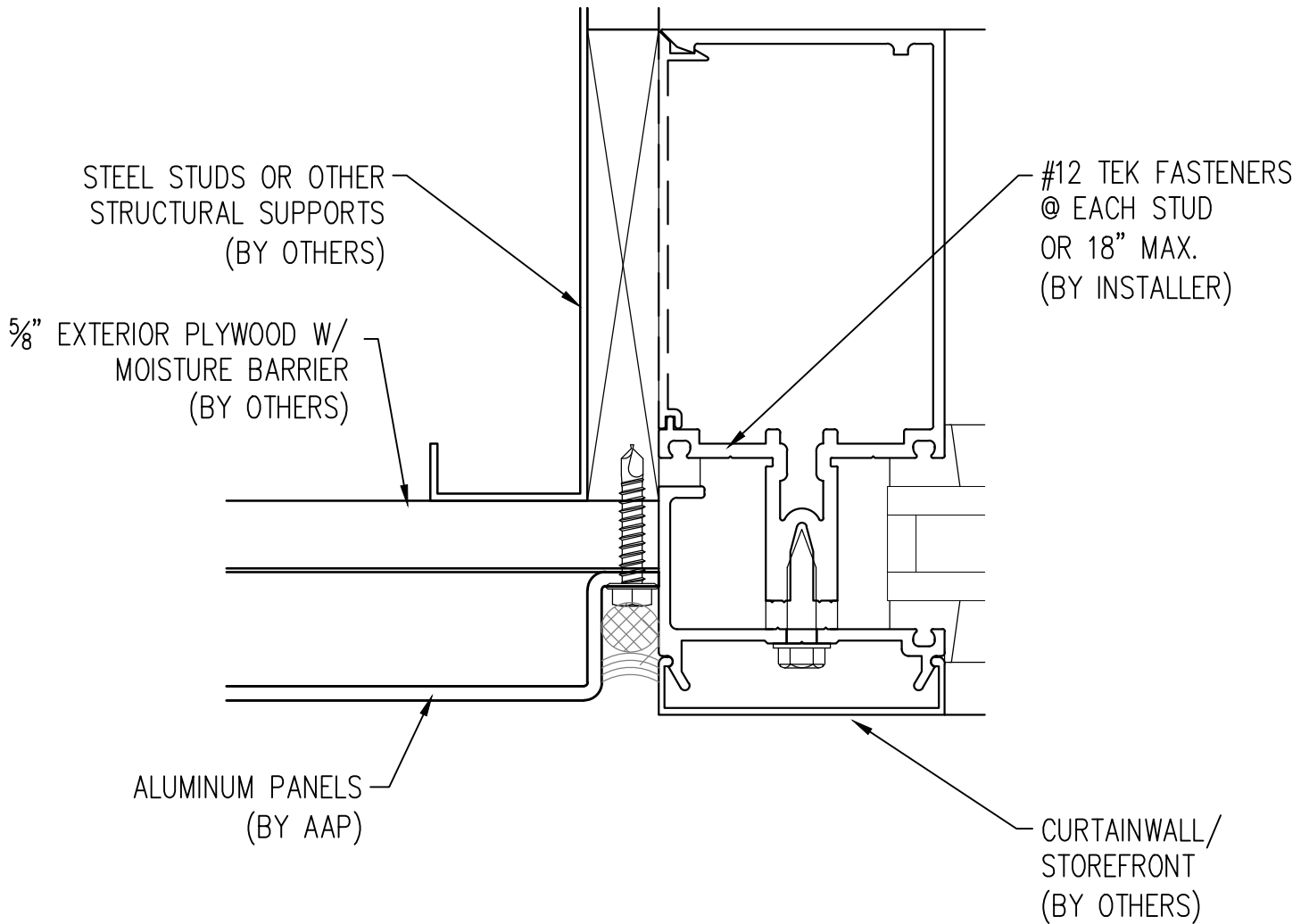


Abrams Architectural Products
7260 Delta Circle
Austell, GA 30168
Phone: 770.745.8728
Fax: 770.745.8839
www.abramssales.com

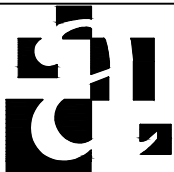
"WET-SEAL"
ALUMINUM PLATE
AAP-900

MARCH 2011

2



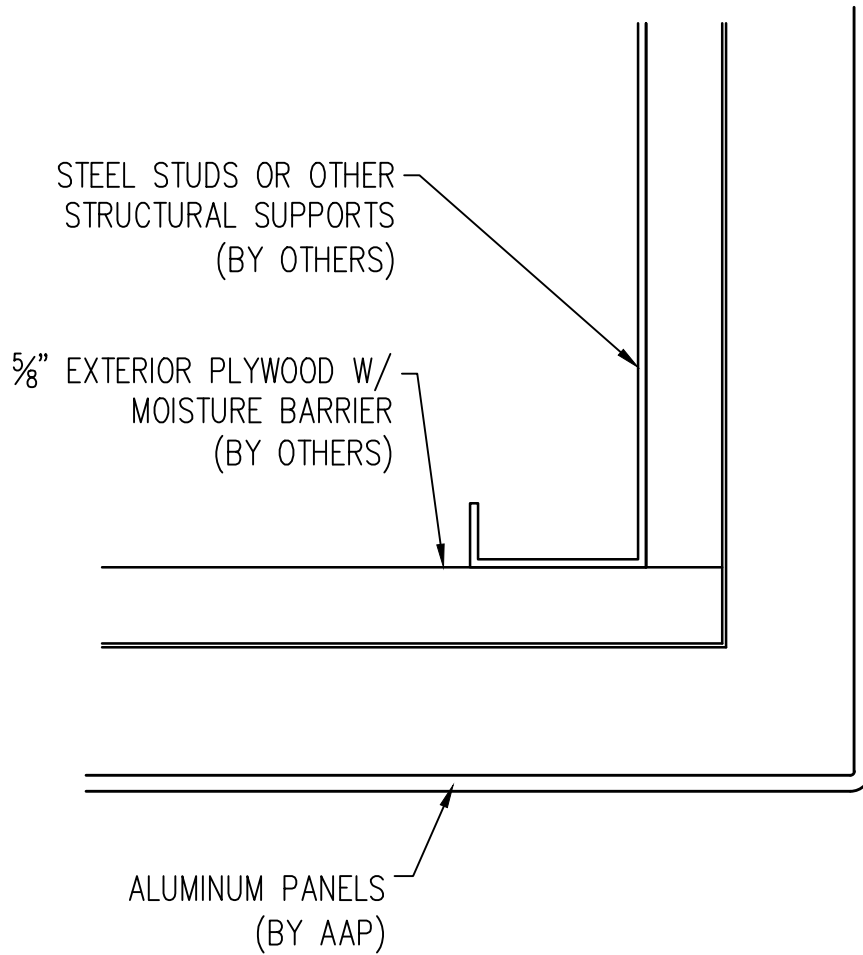
3
WINDOW JAMB



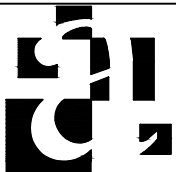
Abrams Architectural Products
 7260 Delta Circle
 Austell, GA 30168
 Phone: 770.745.8728
 Fax: 770.745.8839
 www.abramssales.com

"WET-SEAL"
ALUMINUM PLATE
AAP-900

MARCH 2011



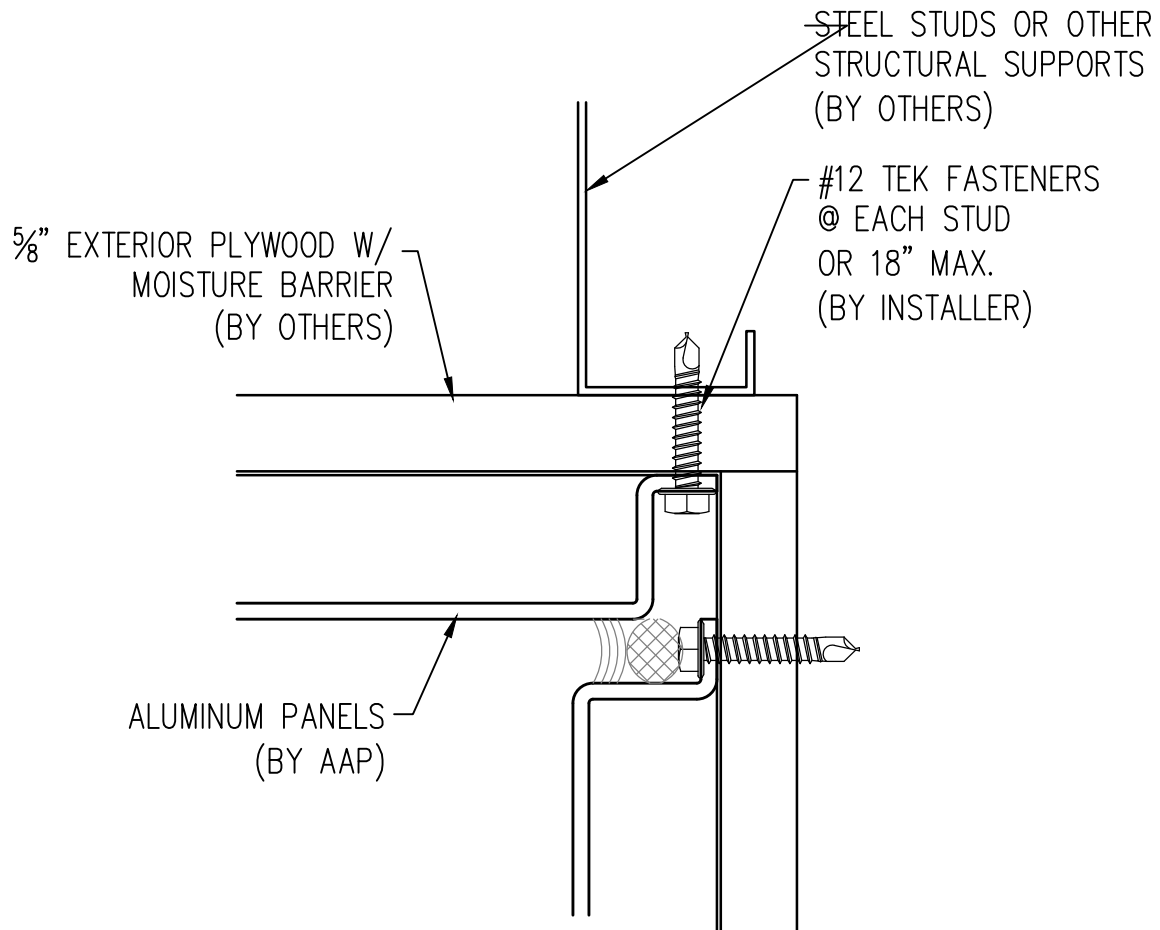
4
OUTSIDE CORNER



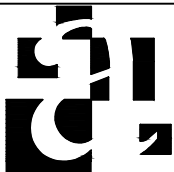
Abrams Architectural Products
7260 Delta Circle
Austell, GA 30168
Phone: 770.745.8728
Fax: 770.745.8839
www.abramssales.com

"WET-SEAL"
ALUMINUM PLATE
AAP-900

MARCH 2011



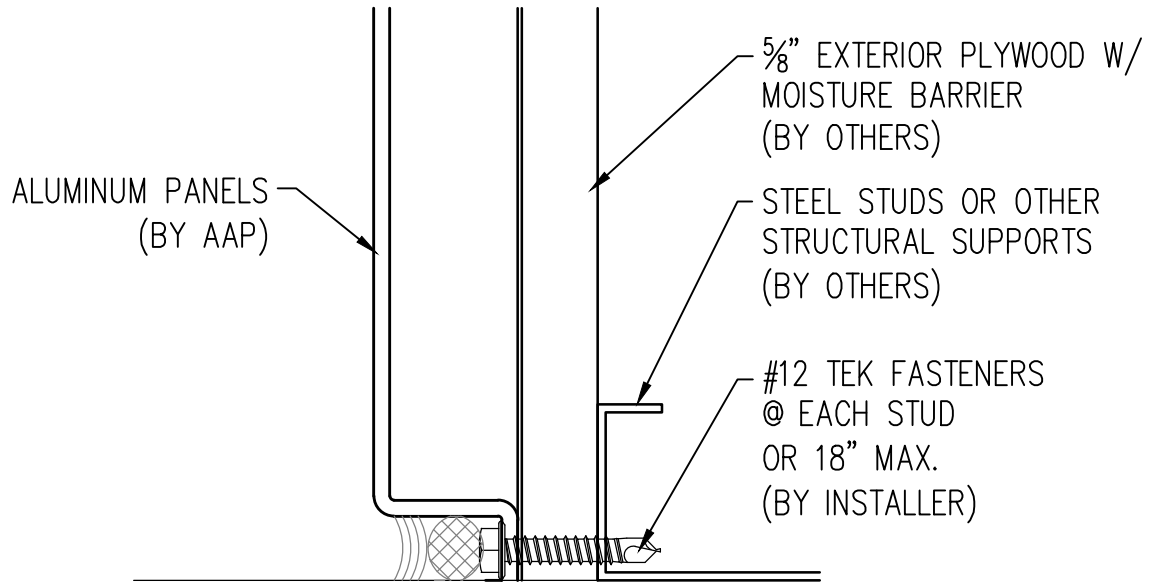
5
INSIDE CORNER



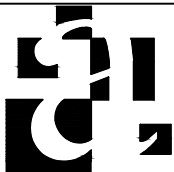
Abrams Architectural Products
7260 Delta Circle
Austell, GA 30168
Phone: 770.745.8728
Fax: 770.745.8839
www.abramssales.com

"WET-SEAL"
ALUMINUM PLATE
AAP-900

MARCH 2011



6
JAMB

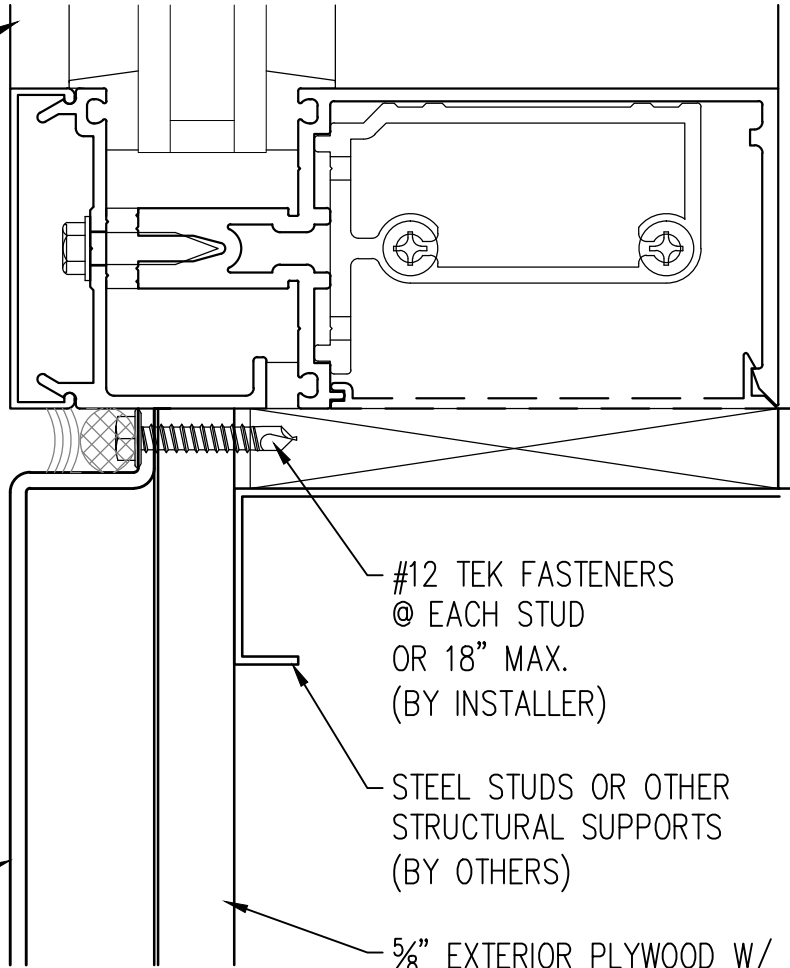


Abrams Architectural Products
7260 Delta Circle
Austell, GA 30168
Phone: 770.745.8728
Fax: 770.745.8839
www.abramssales.com

"WET-SEAL"
ALUMINUM PLATE
AAP-900

MARCH 2011

CURTAINWALL/
STOREFRONT
(BY OTHERS)



#12 TEK FASTENERS
@ EACH STUD
OR 18" MAX.
(BY INSTALLER)

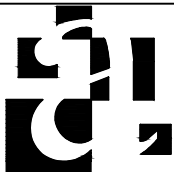
STEEL STUDS OR OTHER
STRUCTURAL SUPPORTS
(BY OTHERS)

5/8" EXTERIOR PLYWOOD W/
MOISTURE BARRIER
(BY OTHERS)

ALUMINUM PANELS
(BY AAP)

7

WINDOW SILL

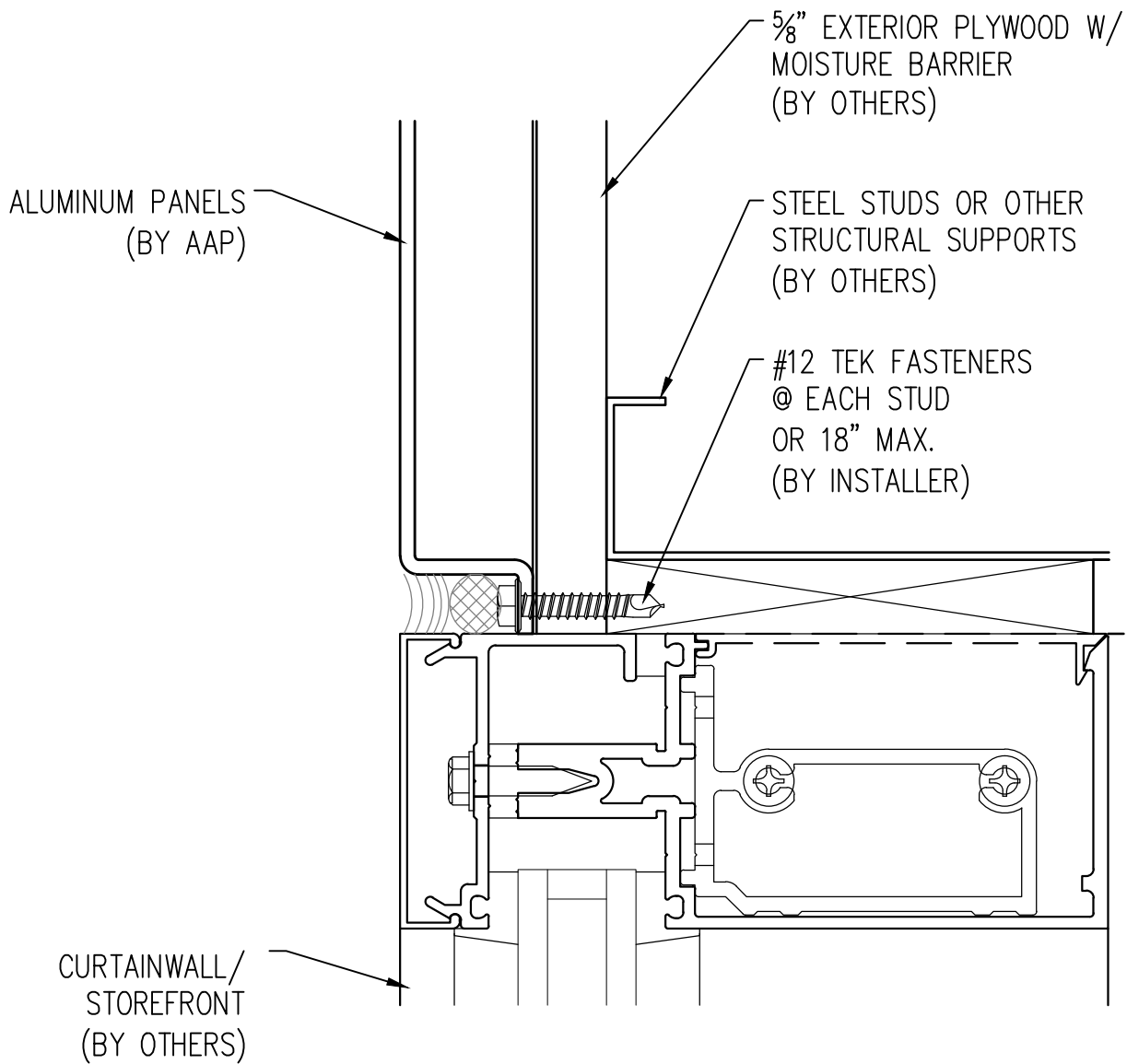


Abrams Architectural Products
7260 Delta Circle
Austell, GA 30168
Phone: 770.745.8728
Fax: 770.745.8839
www.abramssales.com

"WET-SEAL"
ALUMINUM PLATE
AAP-900

MARCH 2011

7



8

WINDOW HEAD

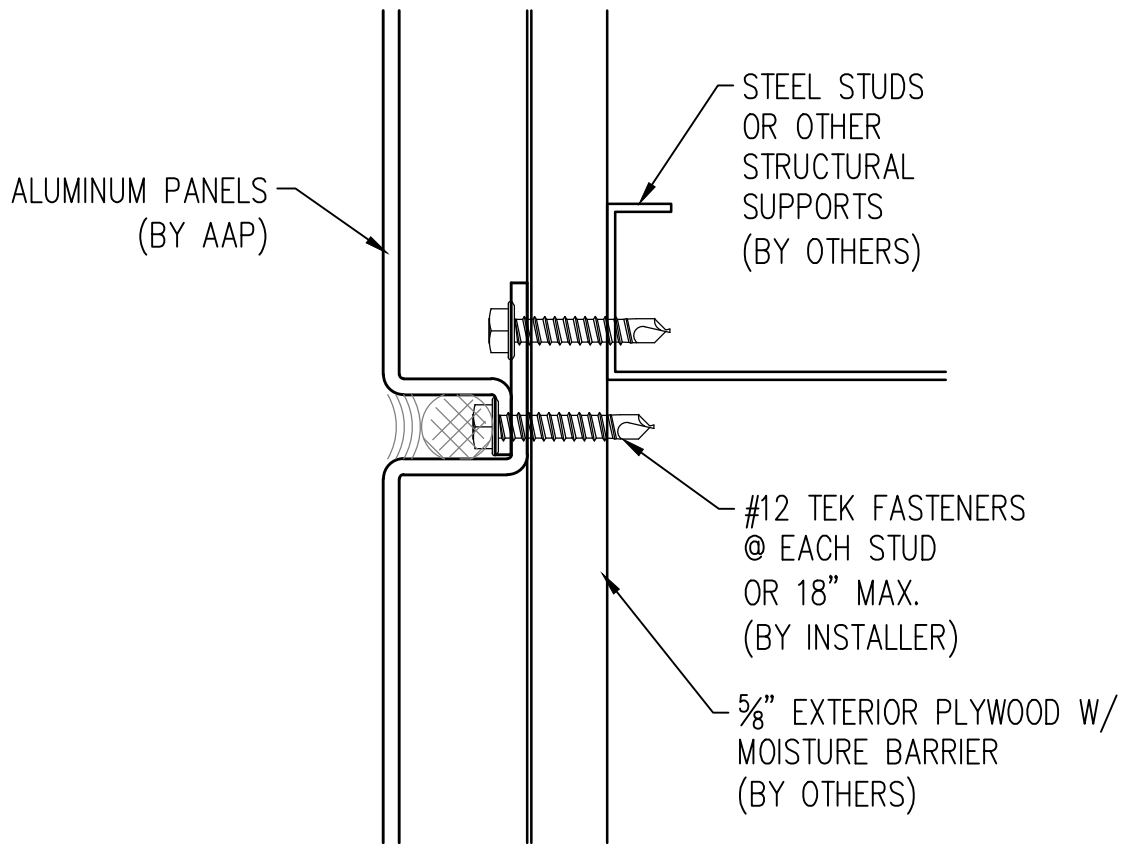


Abrams Architectural Products
7260 Delta Circle
Austell, GA 30168
Phone: 770.745.8728
Fax: 770.745.8839
www.abramssales.com

"WET-SEAL"
ALUMINUM PLATE
AAP-900

MARCH 2011

8



9

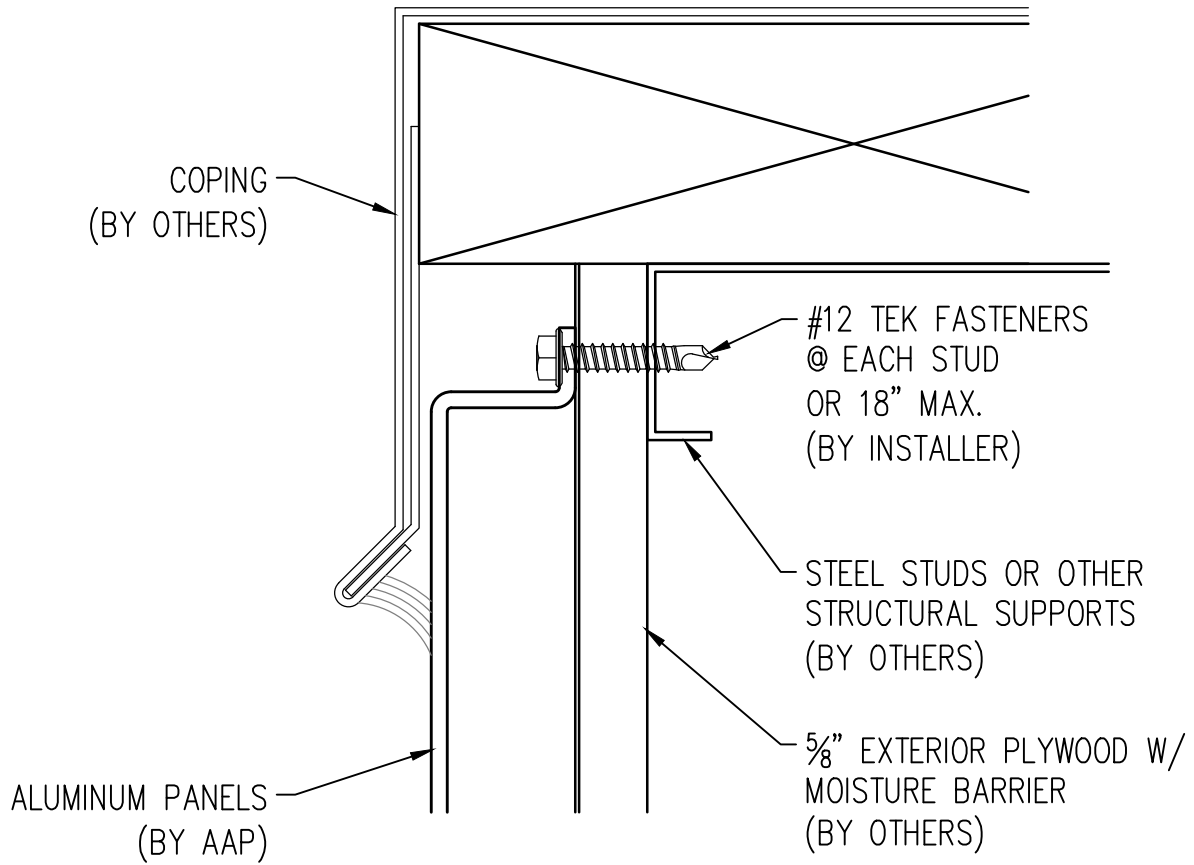
TYPICAL HORIZONTAL JOINT



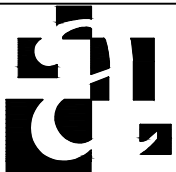
Abrams Architectural Products
 7260 Delta Circle
 Austell, GA 30168
 Phone: 770.745.8728
 Fax: 770.745.8839
 www.abramssales.com

"WET-SEAL"
ALUMINUM PLATE
AAP-900

MARCH 2011



10
COPING

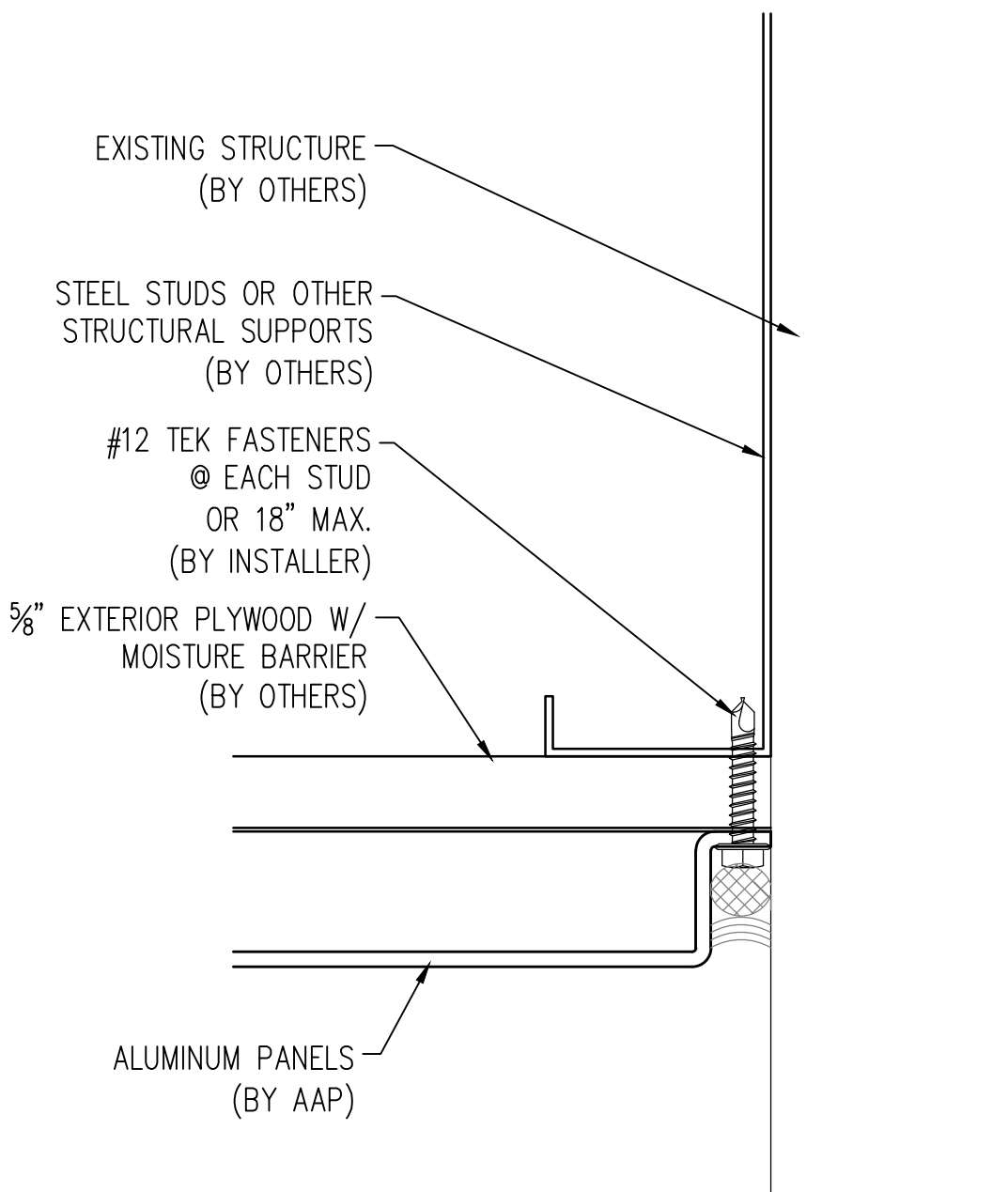


Abrams Architectural Products
7260 Delta Circle
Austell, GA 30168
Phone: 770.745.8728
Fax: 770.745.8839
www.abramssales.com

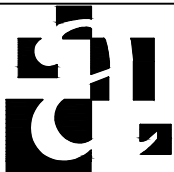
"WET-SEAL"
ALUMINUM PLATE
AAP-900

MARCH 2011

10



11
JAMB



Abrams Architectural Products
7260 Delta Circle
Austell, GA 30168
Phone: 770.745.8728
Fax: 770.745.8839
www.abramssales.com

"WET-SEAL"
ALUMINUM PLATE
AAP-900

MARCH 2011

11